

CLAMPING TECHNOLOGY
DRILL CHUCKS



WTE
MAPAL GROUP

CLAMPING TECHNOLOGY



The optimal clamping tool for every application

On using tools, their connection to the machine spindle, and therefore the clamping technology, plays a central role that is often undervalued.

On fine machining parts, very good results can be achieved with the highest radial run-out accuracies. The effect is very significant even on drilling or milling, as lower radial variations have a positive effect on tool lives.

Manufactured with the latest technology, the clamping technology programme from WTE offers the perfect solution for every application and a connection that ensures the tool has the necessary performance, radial run-out and change-

over accuracy in use. From the CNC precision drill chuck, through clamping tools with flange module, hydraulic and shrinking technology to adapters, the WTE standard programme covers a wide variety of systems and technologies. WTE offers a comprehensive standard programme also for machining with minimum quantity lubrication MQL.



Drilling from the solid |
Boring | Countersinking



Milling



Turning



Reaming | Fine boring

PRODUCT OVERVIEW CLAMPING TECHNOLOGY

Hydraulic Chucks



Features

- High run-out accuracy
- Vibration damping effect
- High radial stiffness
- Clamping without additional devices
- Quick setup times
- Flexible clamping range using reducing sleeves
- With resealable coolant duct holes
- With adjusting technology

Available shank forms

- SK
- HSK-A
- HSK-C
- HSK-E
- HSK-F
- BT
- Module
- Adapter

Maximum speed

Up to 40000 min⁻¹

Spare parts & accessories

- Reducing Sleeves
- Shrink Extensions
- Hydraulic Expansion Extensions
- Stop Screws
- Pressure Screws
- Coolant Transfer Pipe
- Misc. keys for adjustments

HPH - High Performance Holder



Features

- Very high holding forces
- Vibration damping effect
- High thermal stability
- All commercially available shanks can be clamped
- Quick setup times
- Very high transmissible torques
- Narrow design 3°
- With resealable coolant duct holes

Available shank forms

- SK
- HSK-A
- HSK-C
- HSK-E
- HSK-F
- BT

Maximum speed

Up to 40000 min⁻¹

Spare parts & accessories

- Reducing Sleeves
- Shrink Extensions
- Hydraulic Expansion Extensions
- Stop Screws
- Pressure Screws
- Coolant Transfer Pipe
- Misc. keys for adjustments

Shrink Chucks



Features

- High run-out accuracies
- Vibration damping effect
- High transmissible torques
- High flexibility in contours
- Creep resistant workable steel
- Side coolant duct hole
- With resealable coolant duct holes
- Narrow design 3°

Available shank forms

- SK
- HSK-A
- HSK-C
- HSK-E
- HSK-F
- BT
- Module
- Adapter

Maximum speed

Up to 40000 min⁻¹

Spare parts & accessories

- Shrink Extensions
- Coolant Transfer Pipe
- Misc. keys for adjustments

CNC Precision Drill Chucks

**Features**

- Various clamping ranges possible
- Reliable pinion-bevel gear drive
- Clockwise and counter-clockwise rotation possible
- Slim construction

Available shank forms

- SK
- HSK-A, HSK-C, HSK-E, HSK-F
- B12
- BT
- Wohlhaupter
- 1835B
- VDI
- MORI-SEIKI
- ABS
- KOMET
- MK
- MAZAK
- UTS Widia
- PSC
- DECKEL
- CHIRON

Maximum speed

Up to 35000 min⁻¹

Spare parts & accessories

Chuck assembly available as individual part; Coolant Transfer Pipe; Misc. keys for adjustments

NC Standard Drill Chucks

**Features**

- 2 different clamping ranges possible
- Reliable pinion-bevel gear drive
- Clockwise and counter-clockwise rotation possible
- Slim construction

Available shank forms

- SK
- BT

Maximum speed

Up to 7000 min⁻¹

Spare parts & accessories

Chuck assembly available as individual part; Coolant Transfer Pipe; Misc. keys for adjustments

MICRO Universal Chucks

**Features**

- Continuously expandable clamping range
- for tool shanks from 0.2 to 6.4 mm
- High holding forces
- Quick setup times
- Flexible clamping

Available shank forms

- SK
- HSK-A
- HSK-E
- BT
- Cylindrical shank

Maximum speed

Up to 60000 min⁻¹

Spare parts

Spare parts are only available on request. Please contact our Customer Service Team or your authorised WTE dealer.

PRODUCT RANGE



1 Shrink Chucks

In long, short and heavy-duty design, however also with 3 degrees or KKB

2 HPH - High Performance Holder

In long, ultra-short and short heavy-duty design, however also with 3 degrees in additive design

3 Hydraulic Chuck

In long, ultra-short and short heavy-duty design as well as with compensation technology

4 NC Standard Drill Chucks

5 CNC Precision Drill Chucks

In all common shank forms

6 MICRO Universal Chucks

Also with cylindrical shank extension



INNOVATIONS | HIGHLIGHTS

HPH 3° Multi High Performance Holder with narrow contour 3 degrees



WTE has achieved a revolution in clamping technology with the HPH 3° Multi with narrow contour. Thanks to additive manufacturing, it has become possible to utilise the benefits of a hydraulic chuck in an even wider field of applications for the first time. On the one hand, the new chuck exhibits the narrow contour with the 3° back taper known from the shrink chuck and the familiar high holding forces, but does without costly shrink units.

The wide operating temperature range up to 120 °C ensures additional process reliability. It is suitable for all machining operations, particularly in contour-critical areas from a clamping diameter of 3 mm.

AT A GLANCE

- Reliable clamping even at temperatures up to 120 °C
- Optimum radial run-out accuracy of 3 µm with a projection length of 2.5 x D
- Better surface finish with longer tool life of the tool
- Shorter set-up times and lower tool costs

HPH - High Performance Holder short heavy-duty design with resealable cooling channel bores



The WTE HPH in the short heavy-duty design has excellent rigidity, high torque transmission and withstands high thermal loads up to 120 °C, as occur for example during HPC milling. The bending resistance is 1.4 times greater than a conventional shrink chuck. In addition, WTE offers the HPH as a short heavy-duty design with resealable cooling channel bores. In this way the range of applications is expanded. It is also possible to use tools without internal cooling. In

use these advantages guarantee a very high-quality surface finish on the part, significantly higher milling speeds and shorter machining times. In addition, due to the good damping properties, chipping on the tool's cutting edge is prevented and as a result longer tool lives achieved for the tool used.

AT A GLANCE

- Maximum torque transmission
- Compact design
- Thermal stability up to 120 °C
- Resealable cooling channel bores
- Ideal for heavy machining
- Optimal damping properties for long tool life

Hydraulic chuck Comp-R



The hydraulic chuck Comp-R guarantees perfect radial run-out on the usage of multi-bladed reamers in a close tolerance range. The error on the total system due to the tolerances on the spindle, clamping tool and tool is compensated and perfect radial run-out guaranteed. The Comp-R is perfectly suited to light machining tasks with multi-bladed reamers. In addition to the proven WTE hydraulic clamping technology,

it is possible to set, at three adjusting elements, the radial run-out exactly in a setting range of up to 10 μm . The radial run-out is corrected straightforwardly and quickly using a hex wrench depending on the direction of the error. The system is self-locking, unintentional movement during fine machining is impossible.

AT A GLANCE

- Compensation of errors on the overall system
- Easy handling
- No jamming of the tool
- Better surface quality and tool life
- Dirt resistant and low maintenance

Hydraulic chuck with module connection



WTE hydraulic chucks with flange module are optimal for machining operations that require the compensation of radial run-out and angular errors on the machine spindle. These are adjusted radially using adjusting elements and produce

accuracies in the μ range. In combination with the advantages of hydraulic technology, such as vibration damping, increased of tool lives.

AT A GLANCE

- Compensation of radial run-out and angular errors
- Easy handling
- Better surface quality and longer tool life

CHUCK SYSTEMS



Hydraulic clamping technology

Hydraulic chucks

Due to their high radial run-out accuracy and the resulting even cutting action as well as the excellent vibration damping, WTE hydraulic chucks guarantee optimal workpiece finishes. In addition, microstructure cracking on the tool's cutting edge is prevented by the hydraulic system, the tool lives increased and costs reduced. The high clamping reliability is ensured even at high spindle speeds. The chucks can be adjusted to the μ thanks to axial and radial length adjustment. Designs for minimum quantity lubrication as well as short heavy-duty and ultra-short designs with steep taper are available in the standard programme.

ADVANTAGES

- Radial or axial length adjustment to the μ
- No reduction in the clamping forces at high spindle speeds, as a result high process reliability.
- Increased tool life due to very high radial run-out accuracy and repetition accuracy
- Suitable for MQL



HPH - High Performance Holders

The new High Performance Holders combine the damping properties of hydraulic clamping technology with the high holding forces of shrinking technology. Thanks to an innovative manufacturing process, the chucks impress due to high torque transmission, ideal damping properties, outstanding rigidity of the overall system and a radial run-out accuracy of $< 3 \mu\text{m}$. The bending resistance is 1.4 times greater than a conventional shrink chuck in accordance with DIN 69882-8. In use these advantages guarantee a high surface finish on the part, significantly higher machining speeds and therefore short machining times, preventing chipping on the tool's cutting edge and permit long tool lives. The standard programme of HPHs covers short versions with additional decentral resealable cooling channel bores, an additively manufactured slender 3-degree design with direct clamping from a diameter of 3 mm, as well as versions for minimum quantity lubrication MQL.

ADVANTAGES

- High torque transmission
- Process reliability up to 120 °C
- Suitable for MQL





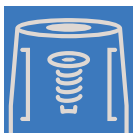
Shrinking technology

Shrink chucks

Using the shrink chucks the tools can be accurately clamped for almost all milling operations. High torque transmission and radial rigidity characterise this chuck. Long-term radial run-out accuracy and repetition accuracy of $< 3 \mu\text{m}$ in the location bore guarantee high dimensional accuracy of the workpiece. The shrink chucks from WTE are finely balanced as standard so that high surface finishes and long tool lives are ensured. The standard programme of shrink chucks includes designs with slender external contour, heavy-duty designs as well as a broad MQL program. In addition, long designs up to 300 mm with HSK-A shank are available.

ADVANTAGES

- High torque transmission and radial rigidity.
- Long service life due to usage of heat-resistant tool steel
- Numerous possible combinations of shrink chucks and extensions.
- Suitable for MQL



Mechanical tool clamping

CNC precision drill chucks | NC standard drill chucks | MICRO universal chucks

Mechanical chucks impress due to their simple construction and the uncomplicated handling. The clamping is safeguarded regardless of the direction of rotation even at high spindle speeds. The standard programme for mechanical tool clamping covers precision drill chucks that are also available in a micro design with direct clamping from 0.2 mm. Due to the modular design, the drill chucks are available with all forms of machine-side connections.




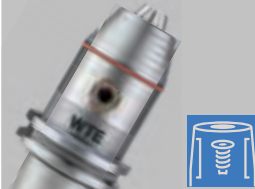
ADVANTAGES

- Simple construction and uncomplicated handling
- Safe clamping regardless of direction of rotation
- High spindle speed strength
- Modular design makes it possible to use drill chuck heads on all tool connections



SELECTION OF A CHUCK

The optimal chuck for every application

Chuck	Design	Milling			Drilling	Reaming
		HPC	Roughing	Finishing		
	Standard	<input type="checkbox"/>	<input type="checkbox"/>	<input checked="" type="checkbox"/>	★	★
	Short heavy-duty design ¹⁾	<input type="checkbox"/>	<input type="checkbox"/>	<input checked="" type="checkbox"/>	★	★
	Radial length adjustment	<input type="checkbox"/>	<input type="checkbox"/>	<input checked="" type="checkbox"/>	★	★
	Adjustable ³⁾	<input type="checkbox"/>	<input type="checkbox"/>	<input checked="" type="checkbox"/>	<input checked="" type="checkbox"/>	★
	With dec. cooling channel bores ²⁾	<input type="checkbox"/>	<input type="checkbox"/>	<input checked="" type="checkbox"/>	★	★
	Standard	<input checked="" type="checkbox"/>	<input checked="" type="checkbox"/>	<input checked="" type="checkbox"/>	<input checked="" type="checkbox"/>	<input checked="" type="checkbox"/>
	Short heavy-duty design ¹⁾	★	★	★	<input checked="" type="checkbox"/>	<input checked="" type="checkbox"/>
	Short heavy-duty design with cooling channel bores ¹⁾²⁾	★	★	★	<input checked="" type="checkbox"/>	<input checked="" type="checkbox"/>
	Narrow contour ^{3°}	<input type="checkbox"/>	<input type="checkbox"/>	★	★	★
	Standard	<input checked="" type="checkbox"/>	<input checked="" type="checkbox"/>	<input checked="" type="checkbox"/>	<input checked="" type="checkbox"/>	<input checked="" type="checkbox"/>
	Short design ⁴⁾	<input checked="" type="checkbox"/>	<input checked="" type="checkbox"/>	<input checked="" type="checkbox"/>	<input checked="" type="checkbox"/>	<input checked="" type="checkbox"/>
	With dec. cooling channel bores ²⁾	<input checked="" type="checkbox"/>	<input checked="" type="checkbox"/>	<input checked="" type="checkbox"/>	<input checked="" type="checkbox"/>	<input checked="" type="checkbox"/>
	Narrow contour ^{3°}	<input type="checkbox"/>	<input type="checkbox"/>	<input checked="" type="checkbox"/>	<input checked="" type="checkbox"/>	<input checked="" type="checkbox"/>
	CNC Precision Drill Chucks	<input type="checkbox"/>	<input type="checkbox"/>	<input type="checkbox"/>	★	<input checked="" type="checkbox"/>
	NC Standard Drill Chucks	<input type="checkbox"/>	<input type="checkbox"/>	<input type="checkbox"/>	★	<input type="checkbox"/>
	MICRO Universal Chucks	<input type="checkbox"/>	<input type="checkbox"/>	<input checked="" type="checkbox"/>	★	<input checked="" type="checkbox"/>

★ = 1st choice | = highly suitable | = suitable in some situations | = not suitable

¹⁾ Short/heavy-duty design: Compact design for high rigidity.

²⁾ With cooling channel bores: Chuck with additional decentral coolant outlets that, optionally, are resealable.

³⁾ With compensation technology: Alignment function on the chuck for radial alignment feature for the compensation of radial run-out errors on the overall system.

⁴⁾ Heavy-duty design: Reinforced contour for heavy-duty machining tasks, optionally with additional cooling channel bores.



Precision drilling technology

Applications for precision drilling technology

WTE NC standard drill chucks and CNC precision drill chucks are used in almost all areas of the metalworking and machining industry.

They stand out due to their precise manufacture, the individual components made of high-quality, hardened material and due to their varied possible applications. Spindle speed ranges up to 35000 revolutions per minute are possible depending on the design.

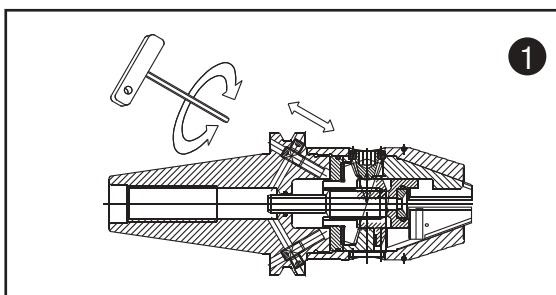
High clamping forces, improved radial run-out accuracies are also outstanding features of our drill chucks.

Depending on the model and type of application, WTE drill chucks are suitable for dry machining without coolant supply or for wet machining with central, or collar coolant supply.

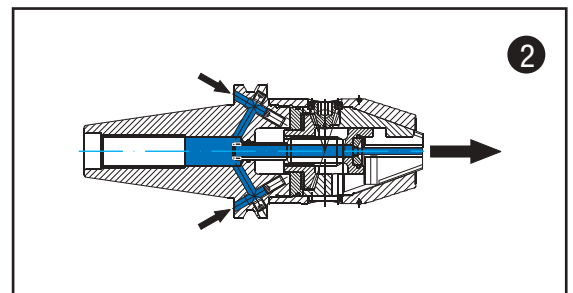


Advantages of WTE drill chucks

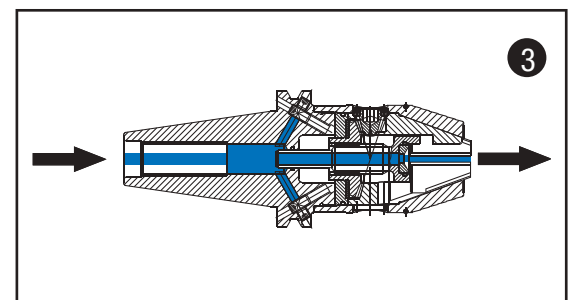
- Reliable mechanical function
- Simple handling
- Safe clamping independent of direction of rotation
- Short times for clamping and re-tooling
- Short design
- Delivery of all possible forms of machine-side tool body due to special modular WTE connection
- High torque transmission



To adjust the drill chuck from the normal setting to Form AF, screw the threaded pins into the bore provided all the way to the rear using a size 2.5 hex wrench.

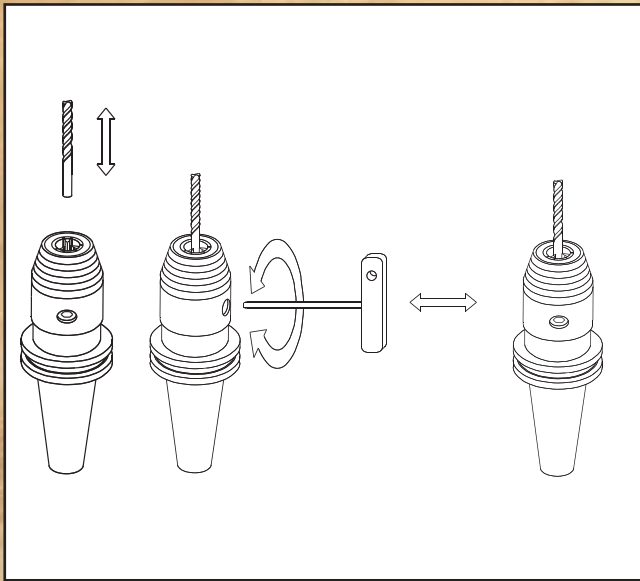


In this way the threaded pins open the coolant supply. On the machine side the coolant is sealed off by the pull stud without coolant bore.



To adjust the drill chuck back to Form AD, back off the threaded pins. The threaded pins then block off the bore. On the machine side the coolant is supplied through the pull stud with coolant bore.

Parts and functional principle, WTE drill chucks



1. Open the clamping jaws counter clockwise to insert the related cutting tool.
2. The cutting tool must be inserted into the stop so that the tool shank is always in contact with the clamping jaws over the whole length. (Caution: Do not clamp conical shanks, as there is a risk of injury!)
3. Turn the key clockwise to the specified tightening torque (see table) to clamp the tool correctly. Extensions or tightening aids are not allowed to be used, as the bevel wheel drive may be irreparably damaged by a higher tightening torque. The pinion is the design fracture point here to prevent worse damage to the drill chuck.
4. After successful checking for correct clamping and the central alignment of the cutting tool, the drill chuck is ready for use.

Safe clamping / care and maintenance

All WTE drill chucks are clamped at the side via a bevel wheel drive using a hexagonal T-key. During this process the key is rotated clockwise to clamp the drill chuck. The drill chuck is opened by turning counter clockwise (see marking at the pinion bore). You will find step-by-step instructions in the related operating manuals. WTE drill chucks are maintenance-free. After use, the drill chucks should be cleaned with a clean cloth. The drill chucks should be coated with oil prior to storage for corrosion protection.

Caution:

Do not use compressed air to clean the drill chuck as fine chips may be blown into the clamping mechanism. The drill chucks are not allowed to be cleaned using solvent or cleaning agents containing solvent, as these may cause corrosion.



Technical data, drill chucks

WTE Norm	WTE 08	WTE 13	WTE 16
Clamping range	0.3 - 8.0 mm	0.5 - 13.0 mm	2.5 - 16 mm
Run-out deviation, maximum	< 0.02 mm (*)	< 0.02 mm (*)	< 0.02 mm (*)
Tightening torque in relation to run-out deviation	8 Nm	15 Nm	15 Nm
Transferable torque	18 Nm (**)	40 Nm (**)	45 Nm (**)
Maximum permissible tightening torque	10 Nm	20 Nm	20 Nm
Transferable torque at maximum permissible tightening torque	30 Nm (**)	80 Nm (**)	90 Nm (**)
Maximum permissible spindle speed	35000 min ⁻¹ (***)	35000 min ⁻¹ (***)	35000 min ⁻¹ (***)

(*) Check on the run-out deviation as per "Precision" inspection report

(**) All CNC drill chucks are clamped at the side via a bevel gear using a hexagonal T-key (see operating manual). A tightening torque of 8 Nm or 15 Nm on the hexagonal T-key is adequate for the usage of the drill chuck. The higher holding torques that can be achieved with the CNC drill chucks are to be considered additional safety and therefore not necessary for normal operation.

(***) The CNC drill chucks are suitable for use up to 7000 min⁻¹ "unbalanced". For use at spindle speeds over 7000 min⁻¹ (up to max. 35000 min⁻¹), e.g. for machining aluminium or wood, the drill chucks must be additionally balanced as per the balancing classes – taking into account the spindle speed and balancing value.

CNC PRECISION DRILL CHUCKS

Shank form SK as per DIN69871

SK 30/40/45/50 200-204

Shank form HSK

HSK-A 32/40/50/63/80/100 205-207

HSK-E 40/50/63 208-209

HSK-F 40/50/63 210

Shank form BT as per ISO 7388-2

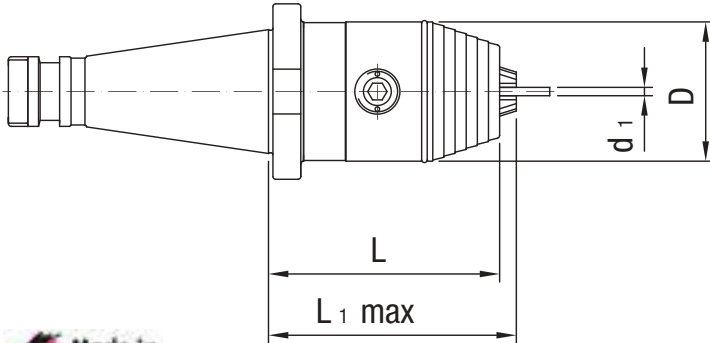
BT 30/35/40/50 211-213

Machine specific shank forms

DIN ISO 10889-1 223-224

PSC 232-233

CNC Precision Drill Chuck DIN 2080, Form A

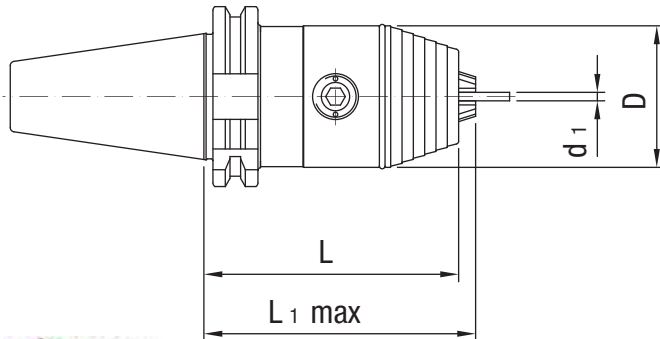


Nominal size SK/ISO	WTE Norm	Clamping range	Dimensions			Weight [kg]	Order designation	Order No.
			d ₁	D	L			
30	WTE 08	0.3 - 8	36	60	63	0.6	10.296.30.08	30335939
40	WTE 08	0.3 - 8	36	62	65	1.3	10.296.40.08	30335942
30	WTE 13	0.5 - 13	50	98	104	1.3	10.296.30.13	30335940
40	WTE 13	0.5 - 13	50	83	89	1.6	10.296.40.13	30335944
50	WTE 13	0.5 - 13	50	100	106	3.9	10.296.50.13	30335947
40	WTE 16	2.5 - 16	57	88	94	1.8	10.296.40.16	30335945
50	WTE 16	2.5 - 16	57	105	111	4.1	10.296.50.16	30335948

Dimensions in mm.
 SK 30 as per DIN 2080, Form A. SK 40 and SK 50 in accordance with DIN 2080 with ring.
 Spare parts and accessories at the end of this chapter. Custom designs available on request.

CNC Precision Drill Chuck DIN69871, Form A

(prev. DIN 69871)



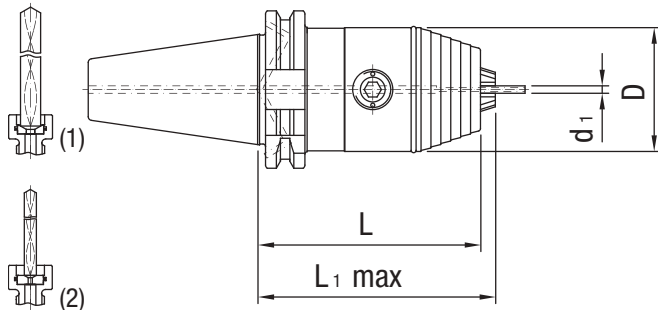
Nominal size SK/ISO	WTE Norm	Clamping range	Dimensions			Weight [kg]	Order designation	Order No.
			d_1	D	L			
30	WTE 08	0.3 - 8	36	70	73	0.7	11.296.30.08	30335949
40	WTE 08	0.3 - 8	36	70	73	1.3	11.296.40.08	30335952
30	WTE 13	0.5 - 13	50	111	117	1.5	11.296.30.13	30335950
40	WTE 13	0.5 - 13	50	90	96	1.6	11.296.40.13	30335953
45	WTE 13	0.5 - 13	50	90	96	2.4	11.296.45.13	30335955
50	WTE 13	0.5 - 13	50	106	112	4.1	11.296.50.13	30335959
40	WTE 16	2.5 - 16	57	95	101	1.8	11.296.40.16	30335954
45	WTE 16	2.5 - 16	57	95	101	2.6	11.296.45.16	30335957
50	WTE 16	2.5 - 16	57	111	117	4.3	11.296.50.16	30335962

Dimensions in mm.

Spare parts and accessories at the end of this chapter. Custom designs available on request.

CNC Precision Drill Chuck DIN69871, Through Coolant

(prev. DIN 69871-AD/B)



Nominal size SK/ISO	WTE Norm	Clamping range	Dimensions			Weight [kg]	Order designation	Order No.
			d ₁	D	L			
40	WTE 08 IK	0.3 - 8	36	73	76	1.3	15.296.40.08	30335971
40	WTE 13 IK	0.5 - 13	50	90	96	1.7	15.296.40.13	30335973
45	WTE 13 IK	0.5 - 13	50	96	102	2.5	15.296.45.13	30335979
50	WTE 13 IK	0.5 - 13	50	106	112	3.9	15.296.50.13	30335984
40	WTE 16 IK	2.5 - 16	57	95	101	1.9	15.296.40.16	30335976
45	WTE 16 IK	2.5 - 16	57	101	107	2.7	15.296.45.16	30335981
50	WTE 16 IK	2.5 - 16	57	111	117	4.1	15.296.50.16	30335986

- (1) WTE 08 sealing disk (ø 3.2 mm) integrated into the drill chuck head, for inner coolant drills ø 4-8 mm with smooth shank acc. to DIN 6535, Form HA.
- (2) WTE 08 sealing disk (ø 1.8mm) included in scope of supply, for inner coolant drills ø 2-4 mm with smooth shank acc. to DIN 6535, Form HA.

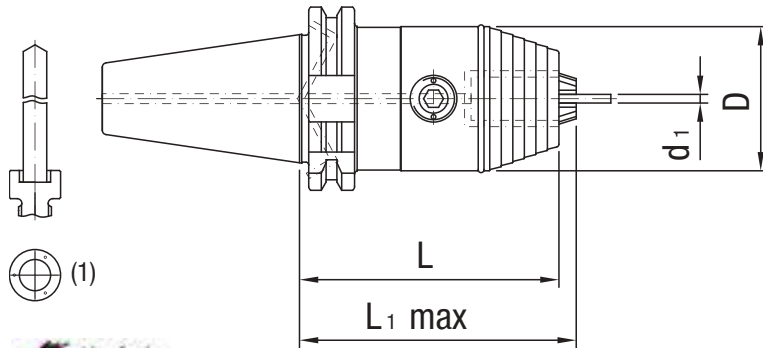
- (1) WTE 13 sealing disk (ø 4.2 mm) integrated into the drill chuck head, for inner coolant drills ø 6-13 mm with smooth shank acc. to DIN 6535, Form HA.
- (2) WTE 13 sealing disk (ø 2.05 mm) included in scope of supply, for inner coolant drills ø 3-6 mm with smooth shank acc. to DIN 6535, Form HA.

- (1) WTE 16 sealing disk (ø 4.2 mm) integrated into the drill chuck head, for inner coolant drills ø 6-16 mm with smooth shank acc. to DIN 6535, Form HA.
- (2) WTE 16 sealing disk (ø 2.05 mm) included in scope of supply, for inner coolant drills ø 3-6 mm with smooth shank acc. to DIN 6535, Form HA.

Dimensions in mm.
 Basic setting Form AD. If Form AF (prev. B) is desired, please indicate when ordering.
 Installation tool for sealing disk, spare parts and accessories at the end of this chapter.
 Custom designs available on request.

CNC Precision Drill Chuck DIN69871, Coolant Ducts

(prev. DIN 69871-AD/B)



Nominal size SK/ISO	WTE Norm	Clamping range	Dimensions			Weight [kg]	Order designation	Order No.
			d ₁	D	L			
40	WTE 08 IK	0.3 - 8	36	73	76	1.3	15.296.40.08.ZBA	30335972
40	WTE 13 IK	0.5 - 13	50	90	96	1.7	15.296.40.13.ZBA	30335974
45	WTE 13 IK	0.5 - 13	50	96	102	2.5	15.296.45.13.ZBA	30335980
50	WTE 13 IK	0.5 - 13	50	106	112	3.9	15.296.50.13.ZBA	30335985
40	WTE 16 IK	2.5 - 16	57	95	101	1.9	15.296.40.16.ZBA	30335977
45	WTE 16 IK	2.5 - 16	57	101	107	2.7	15.296.45.16.ZBA	30335982
50	WTE 16 IK	2.5 - 16	57	111	117	4.1	15.296.50.16.ZBA	30335987

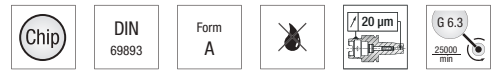
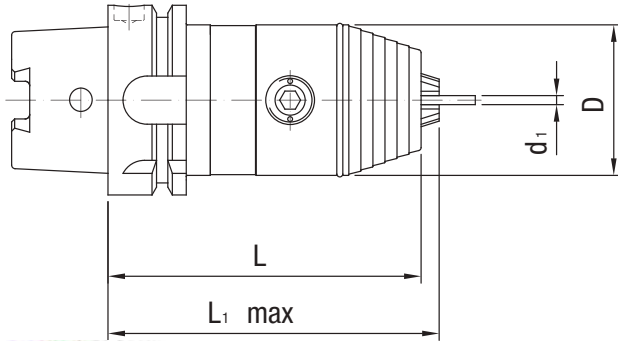
(1) Coolant supply for tools without coolant ducts.

Dimensions in mm.

Basic setting Form AD. If Form AF (prev. B) is desired, please indicate when ordering.

Spare parts and accessories at the end of this chapter. Custom designs available on request.

CNC Precision Drill Chuck DIN 69893-HSK A

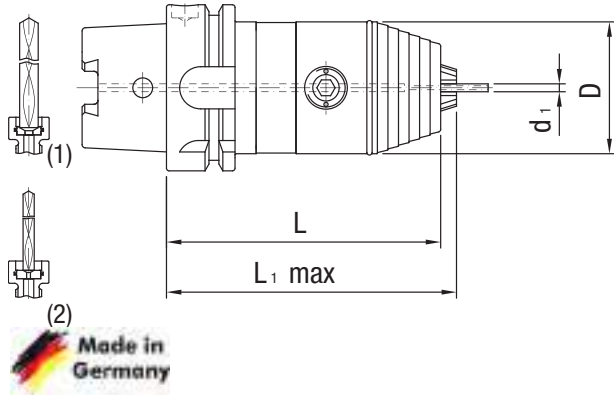


Nominal size HSK-A	WTE Norm	Clamping range	Dimensions			Weight [kg]	Order designation	Order No.
			d ₁	D	L			
32	WTE 08	0.3 - 8	36	90	93	0.5	16.296.32.08	30335995
40	WTE 08	0.3 - 8	36	91	94	0.5	16.296.40.08	30335998
50	WTE 08	0.3 - 8	36	95	98	0.7	16.296.50.08	30336001
63	WTE 08	0.3 - 8	36	96	99	1.1	16.296.63.08	30336010
50	WTE 13	0.5 - 13	50	116	122	1.4	16.296.50.13	30336004
63	WTE 13	0.5 - 13	50	104	110	1.7	16.296.63.13	30336013
80	WTE 13	0.5 - 13	50	109	115	2.1	16.296.80.13	30336021
100	WTE 13	0.5 - 13	50	111	117	3.1	16.296.100.13	30335988
50	WTE 16	2.5 - 16	57	121	127	1.7	16.296.50.16	30336007
63	WTE 16	2.5 - 16	57	109	115	1.9	16.296.63.16	30336017
80	WTE 16	2.5 - 16	57	114	120	2.3	16.296.80.16	30336024
100	WTE 16	2.5 - 16	57	116	122	3.3	16.296.100.16	30335992

Dimensions in mm.

Spare parts and accessories at the end of this chapter. Custom designs available on request.

CNC Precision Drill Chuck DIN 69893-HSK A Through Coolant



Nominal size HSK-A	WTE Norm	Clamping range	Dimensions			Weight [kg]	Order designation	Order No.
			d ₁	D	L			
32	WTE 08 IK	0.3 - 8	36	90	93	0.5	16.296.32.08.Z	30335996
40	WTE 08 IK	0.3 - 8	36	91	94	0.5	16.296.40.08.Z	30335999
50	WTE 08 IK	0.3 - 8	36	95	98	0.7	16.296.50.08.Z	30336002
63	WTE 08 IK	0.3 - 8	36	96	99	1.1	16.296.63.08.Z	30336011
50	WTE 13 IKT	0.5 - 13	50	116	122	1.4	16.296.50.13.Z	30336005
63	WTE 13 IKT	0.5 - 13	50	104	110	1.7	16.296.63.13.Z	30336014
80	WTE 13 IK	0.5 - 13	50	109	115	2.1	16.296.80.13.Z	30336022
100	WTE 13 IK	0.5 - 13	50	111	117	3.1	16.296.100.13.Z	30335989
50	WTE 16 IKT	2.5 - 16	57	121	127	1.7	16.296.50.16.Z	30336008
63	WTE 16 IKT	2.5 - 16	57	109	115	1.9	16.296.63.16.Z	30336018
80	WTE 16 IK	2.5 - 16	57	114	120	2.3	16.296.80.16.Z	30336025
100	WTE 16 IK	2.5 - 16	57	116	122	3.3	16.296.100.16.Z	30335993

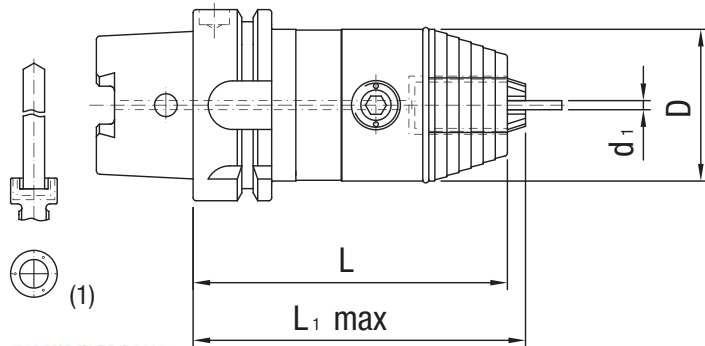
- (1) WTE 08 sealing disk (ø 3.2 mm) integrated into the drill chuck head, for inner coolant drills ø 4-8 mm with smooth shank acc. to DIN 6535, Form HA.
- (2) WTE 08 sealing disk (ø 1.8mm) included in scope of supply, for inner coolant drills ø 2-4 mm with smooth shank acc. to DIN 6535, Form HA.

- (1) WTE 13 sealing disk (ø 4.2 mm) integrated into the drill chuck head, for inner coolant drills ø 6-13 mm with smooth shank acc. to DIN 6535, Form HA.
- (2) WTE 13 sealing disk (ø 2.05 mm) included in scope of supply, for inner coolant drills ø 3-6 mm with smooth shank acc. to DIN 6535, Form HA.

- (1) WTE 16 sealing disk (ø 4.2 mm) integrated into the drill chuck head, for inner coolant drills ø 6-16 mm with smooth shank acc. to DIN 6535, Form HA.
- (2) WTE 16 sealing disk (ø 2.05 mm) included in scope of supply, for inner coolant drills ø 3-6 mm with smooth shank acc. to DIN 6535, Form HA.

Dimensions in mm.
 Coolant pipe not included in scope of supply.
 Spare parts and accessories at the end of this chapter. Custom designs available on request.

CNC Precision Drill Chuck DIN 69893-HSK A Coolant Ducts



Nominal size HSK-A	WTE Norm	Clamping range	Dimensions			Weight [kg]	Order designation	Order No.
			d ₁	D	L			
32	WTE 08	0.3 - 8	36	90	93	0.5	16.296.32.08.ZBA	30335997
40	WTE 08	0.3 - 8	36	91	94	0.5	16.296.40.08.ZBA	30336000
50	WTE 08	0.3 - 8	36	95	98	0.7	16.296.50.08.ZBA	30336003
63	WTE 08	0.3 - 8	36	96	99	1.1	16.296.63.08.ZBA	30336012
50	WTE 13	0.5 - 13	50	116	122	1.4	16.296.50.13.ZBA	30336006
63	WTE 13	0.5 - 13	50	104	110	1.7	16.296.63.13.ZBA	30336016
80	WTE 13	0.5 - 13	50	109	115	2.1	16.296.80.13.ZBA	30336023
100	WTE 13	0.5 - 13	50	111	117	3.1	16.296.100.13.ZBA	30335990
50	WTE 16	2.5 - 16	57	121	127	1.7	16.296.50.16.ZBA	30336009
63	WTE 16	2.5 - 16	57	109	115	1.9	16.296.63.16.ZBA	30336020
80	WTE 16	2.5 - 16	57	114	120	2.3	16.296.80.16.ZBA	30336026
100	WTE 16	2.5 - 16	57	116	122	3.3	16.296.100.16.ZBA	30335994

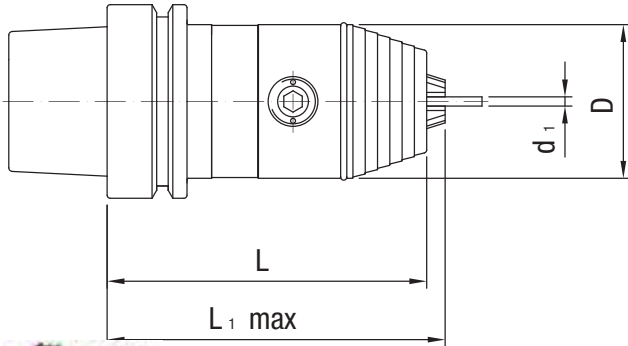
(1) Coolant supply for tools without coolant ducts.

Dimensions in mm.

Coolant pipe not included in scope of supply.

Spare parts and accessories at the end of this chapter. Custom designs available on request.

CNC Precision Drill Chuck DIN 69893-HSK E

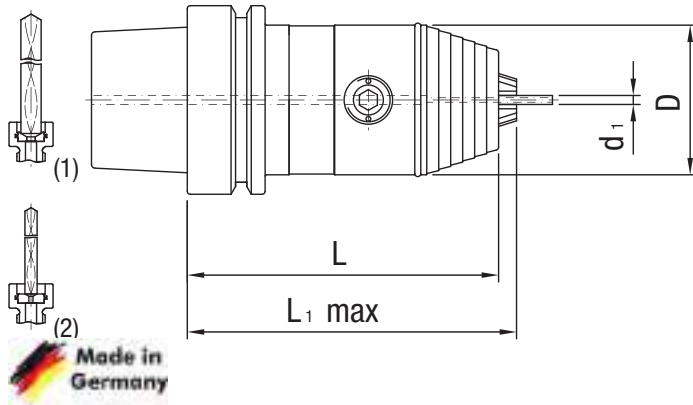


Nominal size HSK-E	WTE Norm	Clamping range	Dimensions			Weight [kg]	Order designation	Order No.
			d ₁	D	L			
40	WTE 08	0.3 - 8	36	91	94	0.7	18.296.40.08	30336033
50	WTE 08	0.3 - 8	36	95	98	1	18.296.50.08	30336035
63	WTE 08	0.3 - 8	36	96	99	1.2	18.296.63.08	30336043
50	WTE 13	0.5 - 13	50	116	122	1.5	18.296.50.13	30336038
63	WTE 13	0.5 - 13	50	104	110	1.7	18.296.63.13	30336045
50	WTE 16	2.5 - 16	57	121	127	1.6	18.296.50.16	30336041
63	WTE 16	2.5 - 16	57	109	115	1.8	18.296.63.16	30336047

Dimensions in mm.

Spare parts and accessories at the end of this chapter. Custom designs available on request.

CNC Precision Drill Chuck DIN 69893-HSK E Through Coolant



Nominal size HSK-E	WTE Norm	Clamping range	Dimensions			Weight [kg]	Order designation	Order No.
			d ₁	D	L			
40	WTE 08 IK	0.3 - 8	36	91	94	0.7	18.296.40.08.Z	30336034
50	WTE 08 IK	0.3 - 8	36	95	98	1	18.296.50.08.Z	30336036
63	WTE 08 IK	0.3 - 8	36	96	99	1.2	18.296.63.08.Z	30336044
50	WTE 13 IKT	0.5 - 13	50	116	122	1.5	18.296.50.13.Z	30336039
63	WTE 13 IKT	0.5 - 13	50	104	110	1.7	18.296.63.13.Z	30336046
50	WTE 16 IKT	2.5 - 16	57	121	127	1.6	18.296.50.16.Z	30336042
63	WTE 16 IKT	2.5 - 16	57	109	115	1.8	18.296.63.16.Z	30336048

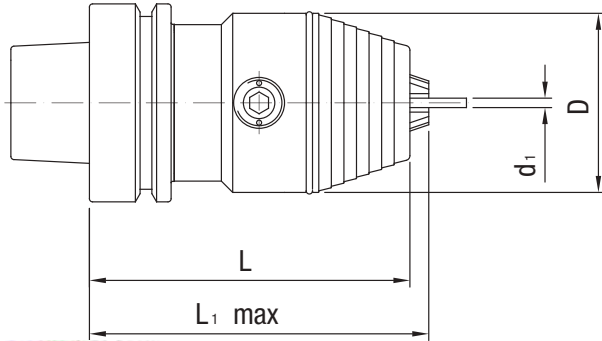
- (1) WTE 08 sealing disk (ø 3.2 mm) integrated into the drill chuck head, for inner coolant drills ø 4-8 mm with smooth shank acc. to DIN 6535, Form HA.
- (2) WTE 08 sealing disk (ø 1.8mm) included in scope of supply, for inner coolant drills ø 2-4 mm with smooth shank acc. to DIN 6535, Form HA.

- (1) WTE 13 sealing disk (ø 4.2 mm) integrated into the drill chuck head, for inner coolant drills ø 6-13 mm with smooth shank acc. to DIN 6535, Form HA.
- (2) WTE 13 sealing disk (ø 2.05 mm) included in scope of supply, for inner coolant drills ø 3-6 mm with smooth shank acc. to DIN 6535, Form HA.

- (1) WTE 16 sealing disk (ø 4.2 mm) integrated into the drill chuck head, for inner coolant drills ø 6-16 mm with smooth shank acc. to DIN 6535, Form HA.
- (2) WTE 16 sealing disk (ø 2.05 mm) included in scope of supply, for inner coolant drills ø 3-6 mm with smooth shank acc. to DIN 6535, Form HA.

Dimensions in mm.
 Coolant pipe not included in scope of supply.
 Installation tool for sealing disk, spare parts and accessories at the end of this chapter.
 Custom designs available on request.

CNC Precision Drill Chuck DIN 69893-HSK F

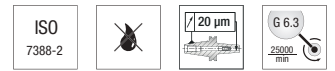
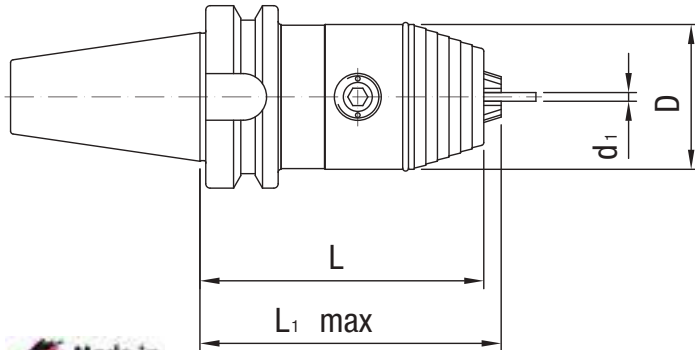


Nominal size HSK-F	WTE Norm	Clamping range	Dimensions			Weight [kg]	Order designation	Order No.
			d ₁	D	L			
40	WTE 08	0.3 - 8	36	87	90	0.6	17.296.40.08	30336027
50	WTE 13	0.5 - 13	50	116	122	1.5	17.296.50.13	30336028
63	WTE 13	0.5 - 13	50	97	103	1.7	17.296.63.13	30336031
50	WTE 16	2.5 - 16	57	121	127	1.6	17.296.50.16	30336029
63	WTE 16	2.5 - 16	57	102	108	1.8	17.296.63.16	30336032

Dimensions in mm.

Spare parts and accessories at the end of this chapter. Custom designs available on request.

CNC Precision Drill Chuck BT MAS



Nominal size BT	WTE Norm	Clamping range	Dimensions			Weight [kg]	Order designation	Order No.
			d ₁	D	L			
30	WTE 08	0.3 - 8	36	74	77	0.7	20.296.30.08	30336049
35	WTE 08	0.3 - 8	36	75	78	1	20.296.35.08	30336052
40	WTE 08	0.3 - 8	36	78	81	1.4	20.296.40.08	30336055
30	WTE 13	0.5 - 13	50	96	102	1.3	20.296.30.13	30336050
35	WTE 13	0.5 - 13	50	95	101	1.4	20.296.35.13	30336053
40	WTE 13	0.5 - 13	50	98	104	1.8	20.296.40.13	30336056
50	WTE 13	0.5 - 13	50	110	116	4.4	20.296.50.13	30336060
40	WTE 16	2.5 - 16	57	103	109	2	20.296.40.16	30336057
50	WTE 16	2.5 - 16	57	115	121	4.7	20.296.50.16	30336061

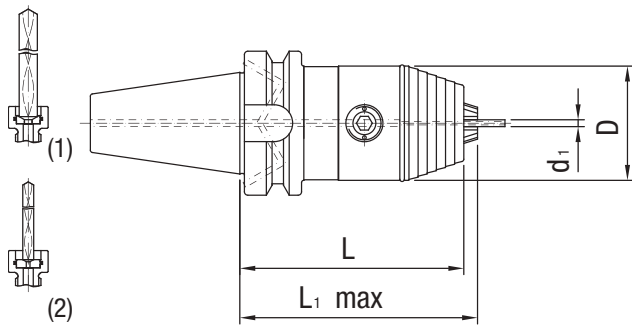
Dimensions in mm.

Spare parts and accessories at the end of this chapter.

Version with face connection and custom designs available on request.

CNC Precision Drill Chuck BT MAS Through Coolant

Coolant supply as per ISO 7388-2, Form JD/JF



Nominal size BT	WTE Norm	Clamping range	Dimensions			Weight [kg]	Order designation	Order No.
			d ₁	D	L			
40	WTE 08 IK	0.3 - 8	36	81	84	1.3	22.296.40.08	30336062
40	WTE 13 IK	0.5 - 13	50	98	104	1.8	22.296.40.13	30336064
50	WTE 13 IK	0.5 - 13	50	110	116	4.4	22.296.50.13	30336070
40	WTE 16 IK	2.5 - 16	57	103	109	2	22.296.40.16	30336067
50	WTE 16 IK	2.5 - 16	57	115	121	4.7	22.296.50.16	30336072

- (1) WTE 08 sealing disk (ø 3.2 mm) integrated into the drill chuck head, for inner coolant drills ø 4-8 mm with smooth shank acc. to DIN 6535, Form HA.
- (2) WTE 08 sealing disk (ø 1.8mm) included in scope of supply, for inner coolant drills ø 2-4 mm with smooth shank acc. to DIN 6535, Form HA.

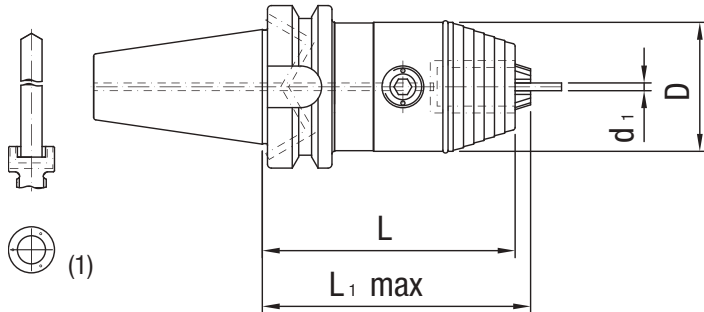
- (1) WTE 13 sealing disk (ø 4.2 mm) integrated into the drill chuck head, for inner coolant drills ø 6-13 mm with smooth shank acc. to DIN 6535, Form HA.
- (2) WTE 13 sealing disk (ø 2.05 mm) included in scope of supply, for inner coolant drills ø 3-6 mm with smooth shank acc. to DIN 6535, Form HA.

- (1) WTE 16 sealing disk (ø 4.2 mm) integrated into the drill chuck head, for inner coolant drills ø 6-16 mm with smooth shank acc. to DIN 6535, Form HA.
- (2) WTE 16 sealing disk (ø 2.05 mm) included in scope of supply, for inner coolant drills ø 3-6 mm with smooth shank acc. to DIN 6535, Form HA.

Dimensions in mm.
 Basic form JD. Please indicate form JF (prev. B) in your order.
 Spare parts and accessories at the end of this chapter.
 Version with face connection and custom designs available on request.

CNC Precision Drill Chuck BT MAS Coolant Ducts

Coolant supply as per ISO 7388-2, Form JD/JF



Nominal size BT	WTE Norm	Clamping range	Dimensions			Weight [kg]	Order designation	Order No.
			d ₁	D	L			
40	WTE 08 IK	0.3 - 8	36	81	84	1.3	22.296.40.08.ZBA	30336063
40	WTE 13 IK	0.5 - 13	50	98	104	1.8	22.296.40.13.ZBA	30336065
50	WTE 13 IK	0.5 - 13	50	110	116	4.4	22.296.50.13.ZBA	30336071
40	WTE 16 IK	2.5 - 16	57	103	109	2	22.296.40.16.ZBA	30336068
50	WTE 16 IK	2.5 - 16	57	115	121	4.7	22.296.50.16.ZBA	30336073

(1) Coolant supply for tools without coolant ducts.

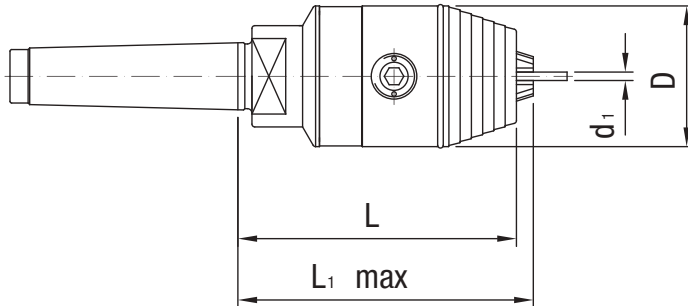
Dimensions in mm.

Basic form JD. Please indicate form JF (prev. B) in your order.

Spare parts and accessories at the end of this chapter.

Version with face connection and custom designs available on request.

CNC Precision Drill Chuck Morse Taper With Thread DIN 228-A

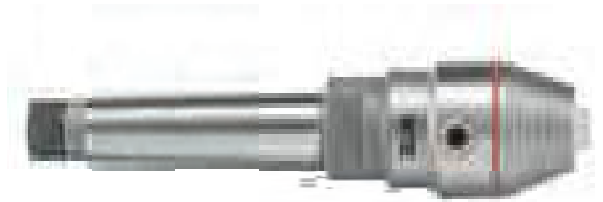
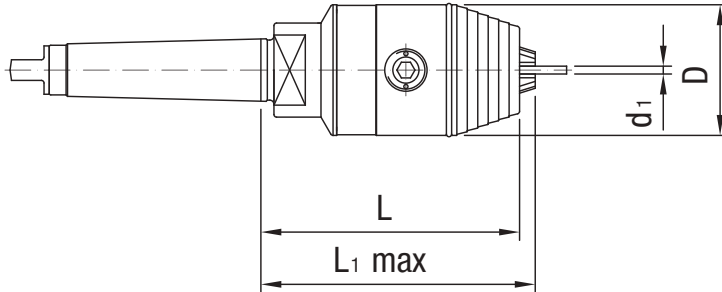


Nominal size MK	WTE Norm	Clamping range	Dimensions			Weight [kg]	Order designation	Order No.
			d ₁	D	L			
MK2	WTE 08	0.3 - 8	36	73	76	0.7	36.296.02.08	30336113
MK3	WTE 08	0.3 - 8	36	73	76	0.8	36.296.03.08	30336115
MK2	WTE 13	0.5 - 13	50	99	105	1.1	36.296.02.13	30336114
MK3	WTE 13	0.5 - 13	50	99	105	1.2	36.296.03.13	30336116
MK4	WTE 13	0.5 - 13	50	104	110	1.6	36.296.04.13	30336118
MK5	WTE 13	0.5 - 13	50	106	112	2.6	36.296.05.13	30336120
MK3	WTE 16	2.5 - 16	57	104	110	1.4	36.296.03.16	30336117
MK4	WTE 16	2.5 - 16	57	109	115	1.9	36.296.04.16	30336119
MK5	WTE 16	2.5 - 16	57	111	117	2.8	36.296.05.16	30336121

Dimensions in mm.

Spare parts and accessories at the end of this chapter. Custom designs available on request.

CNC Precision Drill Chuck Morse Taper With Tang DIN 228-B

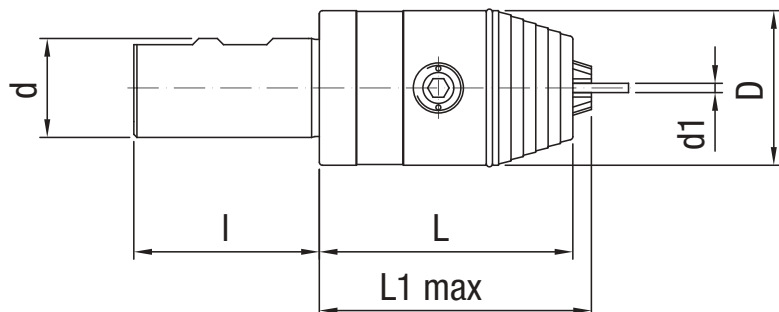


Nominal size MK	WTE Norm	Clamping range	Dimensions			Weight [kg]	Order designation	Order No.
			d ₁	D	L			
MK2	WTE 08	0.3 - 8	36	73	76	0.7	37.296.02.08	30336122
MK3	WTE 08	0.3 - 8	36	73	76	0.8	37.296.03.08	30336125
MK2	WTE 13	0.5 - 13	50	99	105	1.1	37.296.02.13	30336123
MK3	WTE 13	0.5 - 13	50	99	105	1.2	37.296.03.13	30336126
MK4	WTE 13	0.5 - 13	50	104	110	1.6	37.296.04.13	30336128
MK5	WTE 13	0.5 - 13	50	106	112	2.6	37.296.05.13	30336130
MK3	WTE 16	2.5 - 16	57	104	110	1.4	37.296.03.16	30336127
MK4	WTE 16	2.5 - 16	57	109	115	1.9	37.296.04.16	30336129
MK5	WTE 16	2.5 - 16	57	111	117	2.8	37.296.05.16	30336131

Dimensions in mm.

Spare parts and accessories at the end of this chapter. Custom designs available on request.

CNC Precision Drill Chuck DIN 1835-B

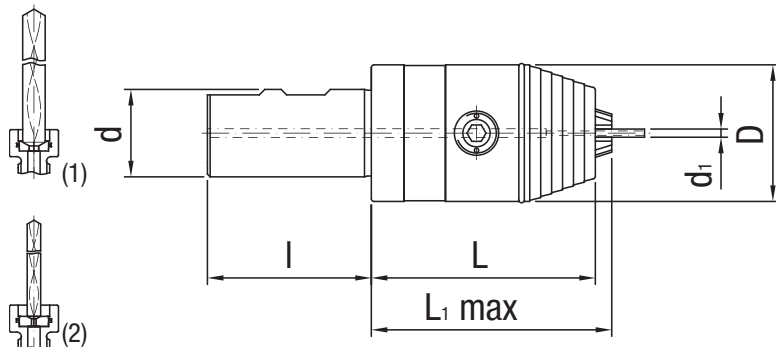


Nominal size DIN 1835-B	WTE Norm	Clamping range	Dimensions			Weight [kg]	Order designation	Order No.
			d ₁	D	L			
20x50	WTE 08	0.3 - 8	36	59	62	0.8	40.296.20.08	30336132
25x56	WTE 08	0.3 - 8	36	52	55	0.9	40.296.25.08	30336135
32x60	WTE 08	0.3 - 8	36	52	55	1	40.296.32.08	30336138
20x50	WTE 13	0.5 - 13	50	82	88	1.1	40.296.20.13	30336133
25x56	WTE 13	0.5 - 13	50	82	88	1.2	40.296.25.13	30336136
32x60	WTE 13	0.5 - 13	50	82	88	1.3	40.296.32.13	30336139
40x70	WTE 13	0.5 - 13	50	80	86	1.6	40.296.40.13	30336141
50x80	WTE 13	0.5 - 13	50	80	86	2.2	40.296.50.13	30336143
25x56	WTE 16	2.5 - 16	57	87	93	1.4	40.296.25.16	30336137
32x60	WTE 16	2.5 - 16	57	87	93	1.5	40.296.32.16	30336140
40x70	WTE 16	2.5 - 16	57	85	91	1.8	40.296.40.16	30336142
50x80	WTE 16	2.5 - 16	57	85	91	2.4	40.296.50.16	30336144

Dimensions in mm.

Spare parts and accessories at the end of this chapter. Custom designs available on request.

CNC Precision Drill Chuck DIN 1835-B Though Coolant



Nominal size DIN 1835-B	WTE Norm	Clamping range	Dimensions			Weight [kg]	Order designation	Order No.
			d ₁	D	L			
20x50	WTE 08 IK	0.3 - 8	36	59	62	0.8	41.296.20.08.Z	30336145
25x56	WTE 08 IK	0.3 - 8	36	52	55	0.9	41.296.25.08.Z	30336148
32x60	WTE 08 IK	0.3 - 8	36	52	55	1	41.296.32.08.Z	30336154
20x50	WTE 13 IK	0.5 - 13	50	82	88	1.1	41.296.20.13.Z	30336146
25x56	WTE 13 IK	0.5 - 13	50	82	88	1.2	41.296.25.13.Z	30336150
32x60	WTE 13 IK	0.5 - 13	50	82	88	1.3	41.296.32.13.Z	30336155
40x70	WTE 13 IK	0.5 - 13	50	80	86	1.6	41.296.40.13.Z	30336158
50x80	WTE 13 IK	0.5 - 13	50	80	86	2.2	41.296.50.13.Z	30336162
25x56	WTE 16 IK	2.5 - 16	57	87	93	1.4	41.296.25.16.Z	30336152
32x60	WTE 16 IK	2.5 - 16	57	87	93	1.5	41.296.32.16.Z	30336157
40x70	WTE 16 IK	2.5 - 16	57	85	91	1.8	41.296.40.16.Z	30336160
50x80	WTE 16 IK	2.5 - 16	57	85	91	2.4	41.296.50.16.Z	30336163

- (1) WTE 08 sealing disk (ø 3.2 mm) integrated into the drill chuck head, for inner coolant drills ø 4-8 mm with smooth shank acc. to DIN 6535, Form HA.
- (2) WTE 08 sealing disk (ø 1.8mm) included in scope of supply, for inner coolant drills ø 2-4 mm with smooth shank acc. to DIN 6535, Form HA.

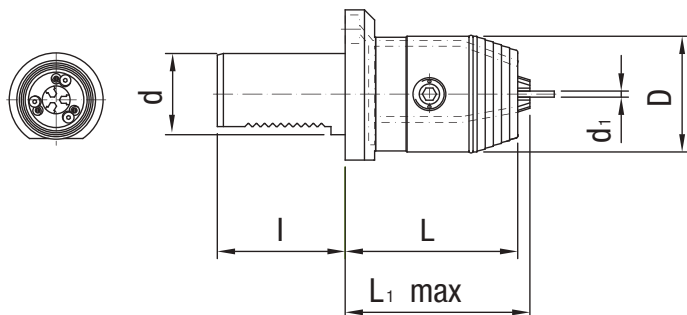
- (1) WTE 13 sealing disk (ø 4.2 mm) integrated into the drill chuck head, for inner coolant drills ø 6-13 mm with smooth shank acc. to DIN 6535, Form HA.
- (2) WTE 13 sealing disk (ø 2.05 mm) included in scope of supply, for inner coolant drills ø 3-6 mm with smooth shank acc. to DIN 6535, Form HA.

- (1) WTE 16 sealing disk (ø 4.2 mm) integrated into the drill chuck head, for inner coolant drills ø 6-16 mm with smooth shank acc. to DIN 6535, Form HA.
- (2) WTE 16 sealing disk (ø 2.05 mm) included in scope of supply, for inner coolant drills ø 3-6 mm with smooth shank acc. to DIN 6535, Form HA.

Dimensions in mm.
Spare parts and accessories at the end of this chapter. Custom designs available on request.

CNC Precision Drill Chuck VDI

(prev. DIN 69880), coolant feet using ball nozzles



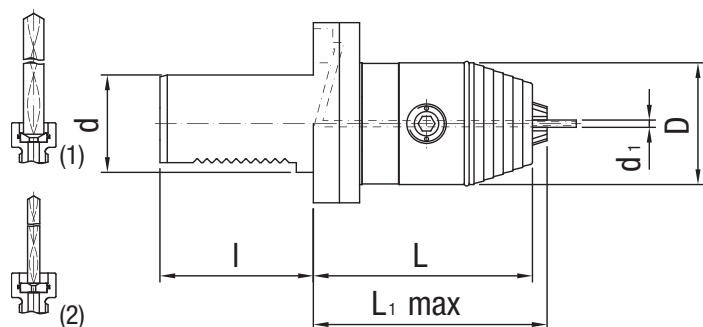
Nominal size DIN ISO 10889-1	WTE Norm	Clamping range	Dimensions			Weight [kg]	Order designation	Order No.
			d ₁	D	L			
16x32	WTE 08 VDI	0.3 - 8	40	60	63	0.6	47.296.16.08	30336165
20x40	WTE 08 VDI	0.3 - 8	40	60	63	0.7	47.296.20.08	30336166
25x48	WTE 08 VDI	0.3 - 8	40	60	63	0.8	47.296.25.08	30336168
30x55	WTE 08 VDI	0.3 - 8	40	60	63	1	47.296.30.08	30336171
40x63	WTE 08 VDI	0.3 - 8	40	65	68	1.7	47.296.40.08	30336174
20x40	WTE 13 VDI	0.5 - 13	57	82	88	1.7	47.296.20.13	30336167
25x48	WTE 13 VDI	0.5 - 13	57	82	88	1.7	47.296.25.13	30336169
30x55	WTE 13 VDI	0.5 - 13	57	82	88	2.1	47.296.30.13	30336172
40x63	WTE 13 VDI	0.5 - 13	57	85	91	2.6	47.296.40.13	30336175
50x78	WTE 13 VDI	0.5 - 13	57	85	91	3.4	47.296.50.13	30336177
30x55	WTE 16 VDI	2.5 - 16	57	82	93	2.1	47.296.30.16	30336173
40x63	WTE 16 VDI	2.5 - 16	57	85	96	2.6	47.296.40.16	30336176
50x78	WTE 16 VDI	2.5 - 16	57	85	96	3.4	47.296.50.16	30336178
60x94	WTE 16 VDI	2.5 - 16	57	93	104	4.9	47.296.60.16	30336179

Dimensions in mm.

Spare parts and accessories at the end of this chapter. Custom designs available on request.

CNC Precision Drill Chuck VDI Through Coolant

(prev. DIN 69880), central coolant supply



Nominal size DIN ISO 10889-1	WTE Norm	Clamping range	Dimensions			Weight [kg]	Order designation	Order No.
			d ₁	D	L			
16x32	WTE 08 IK	0.3 - 8	36	68	71	0.6	48.296.16.08	30336180
20x40	WTE 08 IK	0.3 - 8	36	68	71	0.7	48.296.20.08	30336181
25x48	WTE 08 IK	0.3 - 8	36	68	71	0.8	48.296.25.08	30336185
30x55	WTE 08 IK	0.3 - 8	36	68	71	1.1	48.296.30.08	30336187
40x63	WTE 08 IK	0.3 - 8	36	68	71	1.5	48.296.40.08	30336194
20x40	WTE 13 IK	0.5 - 13	50	90	96	1.7	48.296.20.13	30336183
25x48	WTE 13 IK	0.5 - 13	50	90	96	1.7	48.296.25.13	30336186
30x55	WTE 13 IK	0.5 - 13	50	90	96	1.8	48.296.30.13	30336189
40x63	WTE 13 IK	0.5 - 13	50	90	96	2.3	48.296.40.13	30336195
50x78	WTE 13 IK	0.5 - 13	50	90	96	3	48.296.50.13	30336201
30x55	WTE 16 IK	2.5 - 16	57	95	101	2	48.296.30.16	30336192
40x63	WTE 16 IK	2.5 - 16	57	95	101	2.5	48.296.40.16	30336198
50x78	WTE 16 IK	2.5 - 16	57	95	101	3.3	48.296.50.16	30336202
60x94	WTE 16 IK	2.5 - 16	57	95	101	4.9	48.296.60.16	30336203

- (1) WTE 08 sealing disk (ø 3.2 mm) integrated into the drill chuck head, for inner coolant drills ø 4-8 mm with smooth shank acc. to DIN 6535, Form HA.
- (2) WTE 08 sealing disk (ø 1.8mm) included in scope of supply, for inner coolant drills ø 2-4 mm with smooth shank acc. to DIN 6535, Form HA.

- (1) WTE 13 sealing disk (ø 4.2 mm) integrated into the drill chuck head, for inner coolant drillsø 6-13 mm with smooth shank acc. to DIN 6535, Form HA.
- (2) WTE 13 sealing disk (ø 2.05 mm) included in scope of supply, for inner coolant drills ø 3-6 mm with smooth shank acc. to DIN 6535, Form HA.

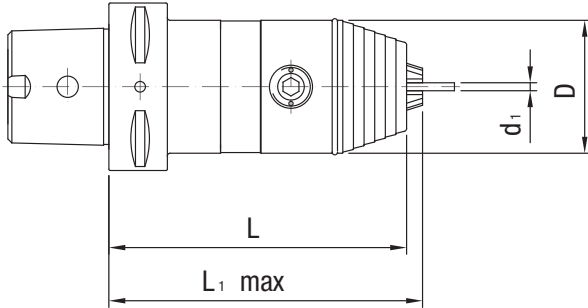
- (1) WTE 16 sealing disk (ø 4.2 mm) integrated into the drill chuck head, for inner coolant drills ø 6-16 mm with smooth shank acc. to DIN 6535, Form HA.
- (2) WTE 16 sealing disk (ø 2.05 mm) included in scope of supply, for inner coolant drills ø 3-6 mm with smooth shank acc. to DIN 6535, Form HA.

Dimensions in mm.

Spare parts and accessories at the end of this chapter. Custom designs available on request.

CNC Precision Drill Chuck with Polygonshank (PSC)

As per ISO 26623-1



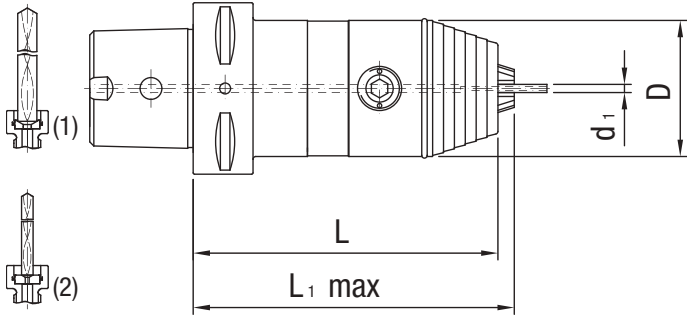
Nominal size PSC	WTE Norm	Clamping range	Dimensions			Weight [kg]	Order designation	Order No.
			d ₁	D	L			
32	WTE 08	0.3 - 8	36	73	76	0.5	67.296.32.08	30591623
32	WTE 13	0.5 - 13	50	96	103	1.1	67.296.32.13	30591627
40	WTE 08	0.3 - 8	36	74	77	0.6	67.296.40.08	30591631
40	WTE 13	0.5 - 13	50	98	105	1.2	67.296.40.13	30591633
50	WTE 08	0.3 - 8	36	76	79	0.8	67.296.50.08	30591635
50	WTE 13	0.5 - 13	50	97	105	1.4	67.296.50.13	30591636
63	WTE 08	0.3 - 8	36	91	94	1.1	67.296.63.08	30336230
63	WTE 13	0.5 - 13	50	112	118	1.9	67.296.63.13	30336232
63	WTE 16	2.5 - 16	57	117	123	2.1	67.296.63.16	30336234
80	WTE 13	0.5 - 13	50	106	112	2.7	67.296.80.13	30591638
80	WTE 16	2.5 - 16	57	111	115	2.9	67.296.80.16	30591639

Dimensions in mm.

Spare parts and accessories at the end of this chapter. Custom designs available on request.

CNC Precision Drill Chuck with Polygonshank (PSC)

As per ISO 26623-1, with internal coolant supply



Nominal size PSC	WTE Norm	Clamping range	Dimensions			Weight [kg]	Order designation	Order No.
			d ₁	D	L			
32	WTE 08 IK	0.3 - 8	36	73	76	0.5	67.296.32.08.Z	30591641
32	WTE 13 IK	0.5 - 13	50	96	103	1.1	67.296.32.13.Z	30591645
40	WTE 08 IK	0.3 - 8	36	74	77	0.6	67.296.40.08.Z	30591647
40	WTE 13 IK	0.5 - 13	50	98	105	1.2	67.296.40.13.Z	30591650
50	WTE 08 IK	0.3 - 8	36	76	79	0.8	67.296.50.08.Z	30591669
50	WTE 13 IK	0.5 - 13	50	97	105	1.4	67.296.50.13.Z	30591670
63	WTE 08 IK	0.3 - 8	36	91	94	1.1	67.296.63.08.Z	30336231
63	WTE 13 IK	0.5 - 13	50	112	118	1.9	67.296.63.13.Z	30336233
63	WTE 16 IK	2.5 - 16	57	117	123	2.1	67.296.63.16.Z	30336235
80	WTE 13 IK	0.5 - 13	50	106	112	2.7	67.296.80.13.Z	30591673
80	WTE 16 IK	2.5 - 16	57	111	115	2.9	67.296.80.16.Z	30591674

- (1) WTE 08 sealing disk (ø 3.2 mm) integrated into the drill chuck head, for inner coolant drills ø 4-8 mm with smooth shank acc. to DIN 6535, Form HA.
- (2) WTE 08 sealing disk (ø 1.8mm) included in scope of supply, for inner coolant drills ø 2-4 mm with smooth shank acc. to DIN 6535, Form HA.

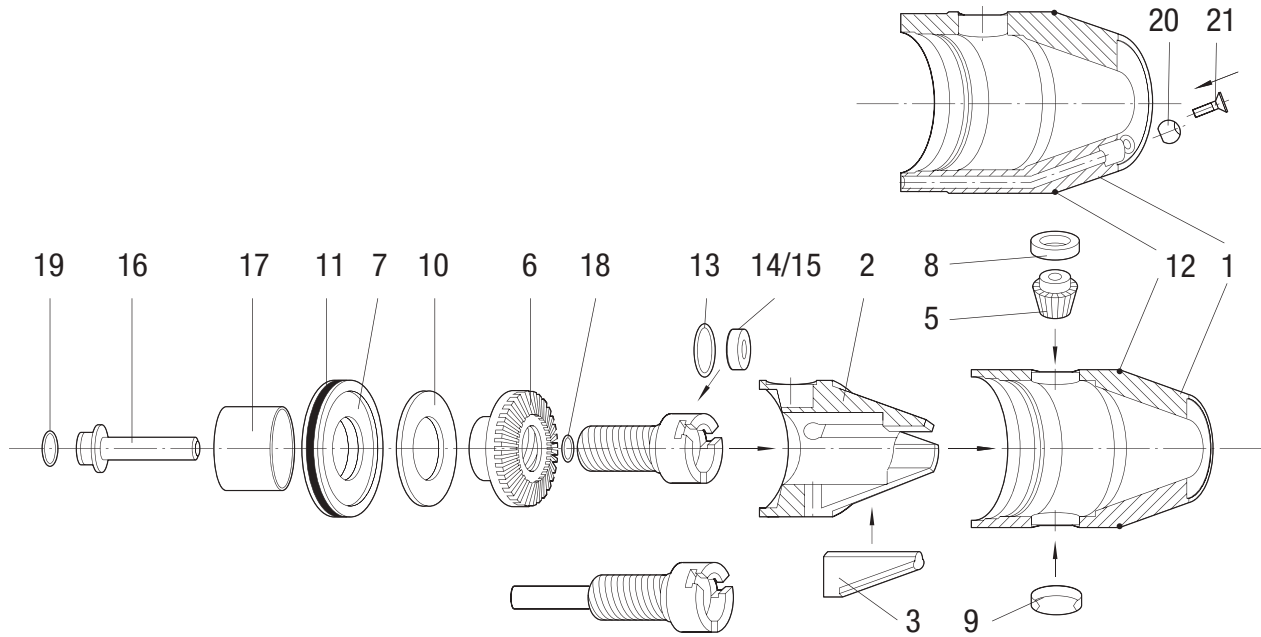
- (1) WTE 13 sealing disk (ø 4.2 mm) integrated into the drill chuck head, for inner coolant drills ø 6-13 mm with smooth shank acc. to DIN 6535, Form HA.
- (2) WTE 13 sealing disk (ø 2.05 mm) included in scope of supply, for inner coolant drills ø 3-6 mm with smooth shank acc. to DIN 6535, Form HA.

- (1) WTE 16 sealing disk (ø 4.2 mm) integrated into the drill chuck head, for inner coolant drills ø 6-16 mm with smooth shank acc. to DIN 6535, Form HA.
- (2) WTE 16 sealing disk (ø 2.05 mm) included in scope of supply, for inner coolant drills ø 3-6 mm with smooth shank acc. to DIN 6535, Form HA.

Dimensions in mm.
 Installation tool for sealing disk, spare parts and accessories at the end of this chapter.
 Custom designs available on request.

Spare parts for CNC Precision Drill Chuck

For design WTE 08

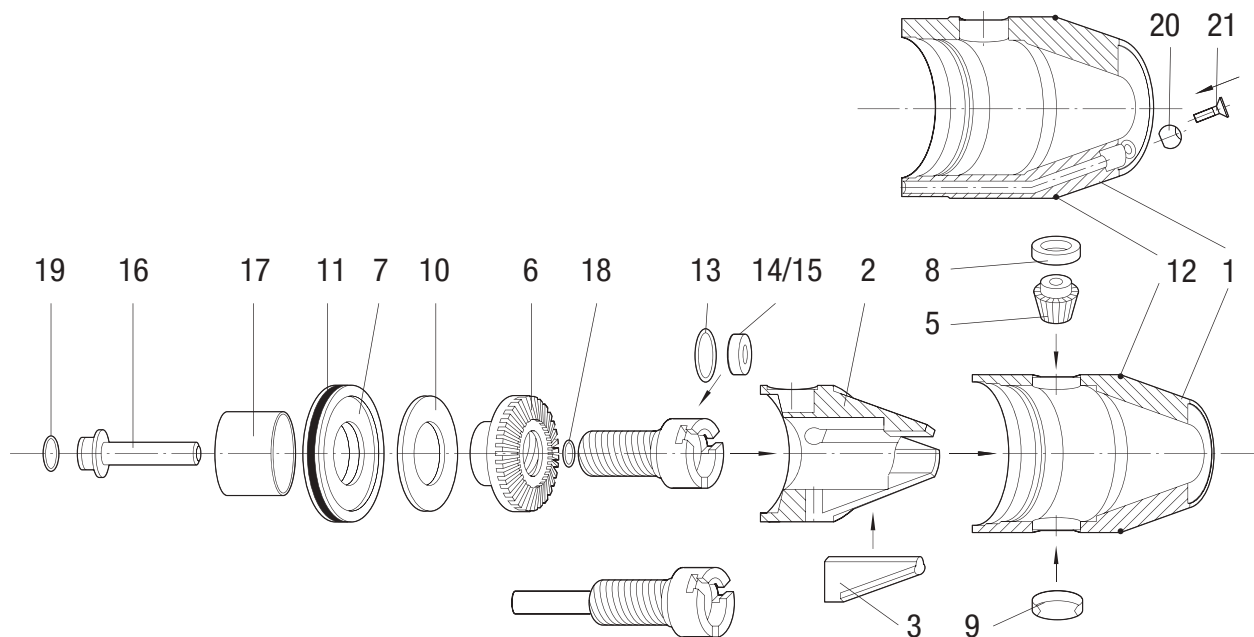


Nr.	Description	Order designation	Order No.
1	Sleeve	89.208.01	30266093
2	Expansion cone	89.208.02	30266130
3	Clamping jaws (1 set = 3 pieces)	89.208.03	30266138
4	Spindle	89.208.04	30266107
5	Pinion	89.208.05	30266141
6	Bevel gear	89.208.06	30266194
7	Thrust Piece	89.208.07	30266164
8	Pinion screw	89.208.08	30266192
9	Cover	89.208.09	30266152
10	Stop disc	89.208.10	30266156
11	O-ring 24 x 1	89.208.11	10072512
12	O-ring, red	89.208.39	30263594

Dimensions in mm.

Spare parts for CNC Precision Drill Chuck

For design WTE 08 IK

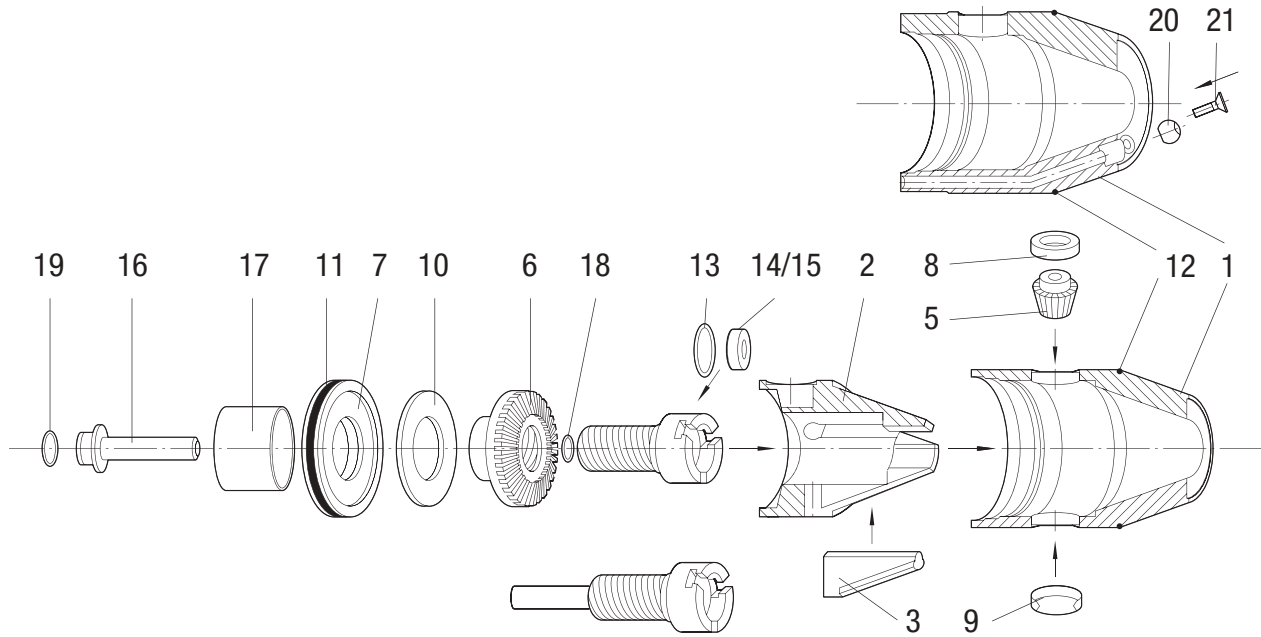


Nr.	Description	Order designation	Order No.
1	Sleeve	89.208.01	30266093
2	Expansion cone	89.208.02	30266130
3	Clamping jaws (1 set = 3 pieces)	89.208.03	30266138
4	Spindle	89.208.13	30266108
5	Pinion	89.208.05	30266141
6	Bevel gear	89.208.06	30266194
7	Thrust Piece	89.208.07	30266164
8	Pinion screw	89.208.08	30266192
9	Cover	89.208.09	30266152
10	Stop disc	89.208.10	30266156
11	O-ring 24 x 1	89.208.11	10072512
12	O-ring, red	89.208.39	30263594
13	O-ring 8 x 1	89.208.14	10015675
14	Gasket \varnothing 1.8 - 4	89.208.15	30266123
15	Gasket \varnothing 3.2 - 8	89.208.16	30266125
19	O-ring 8 x 1.5	89.213.20	10015676

Dimensions in mm.

Spare parts for CNC Precision Drill Chuck

For design WTE 08 VDI

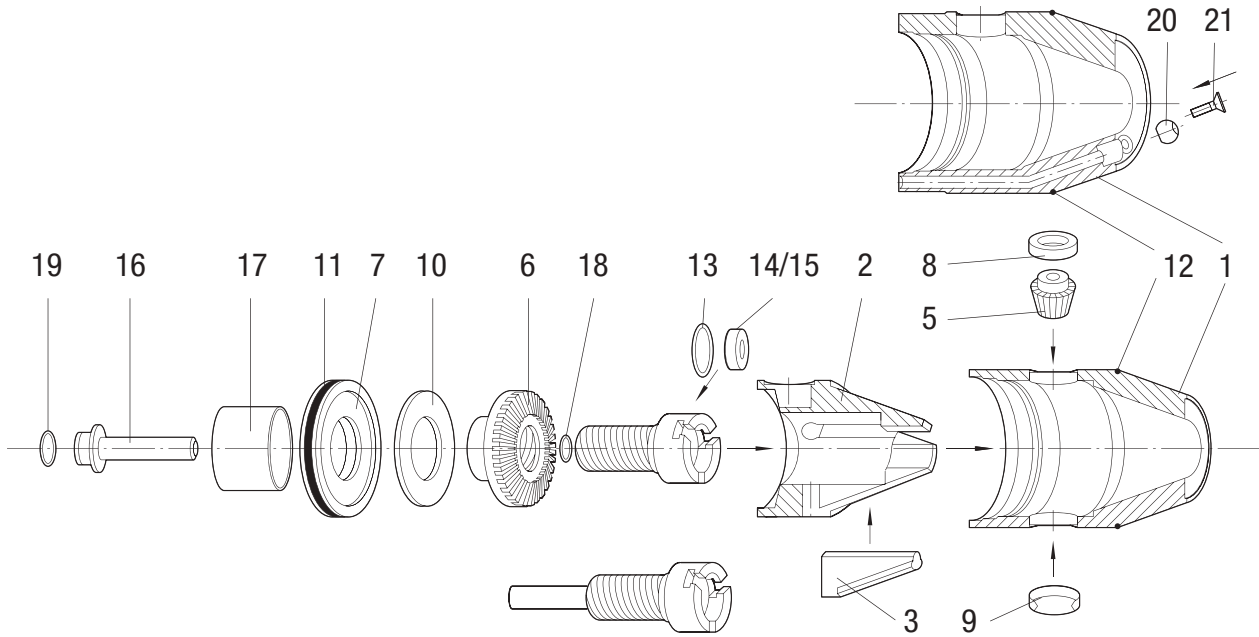


Nr.	Description	Order designation	Order No.
1	Sleeve	89.208.17	30266094
2	Expansion cone	89.208.02	30266130
3	Clamping jaws (1 set = 3 pieces)	89.208.03	30266138
4	Spindle	89.208.04	30266107
5	Pinion	89.208.05	30266141
6	Bevel gear	89.208.06	30266194
7	Thrust Piece	89.208.07	30266164
8	Pinion screw	89.208.08	30266192
10	Stop disc	89.208.10	30266156
11	O-ring 24 x 1	89.208.11	10072512
12	O-ring, red	89.208.39	30263594
20	Ball ø 5.5	89.208.18	30266161
21	Countersunk screw	89.208.19	10003770

Dimensions in mm.

Spare parts for CNC Precision Drill Chuck

For design WTE 13

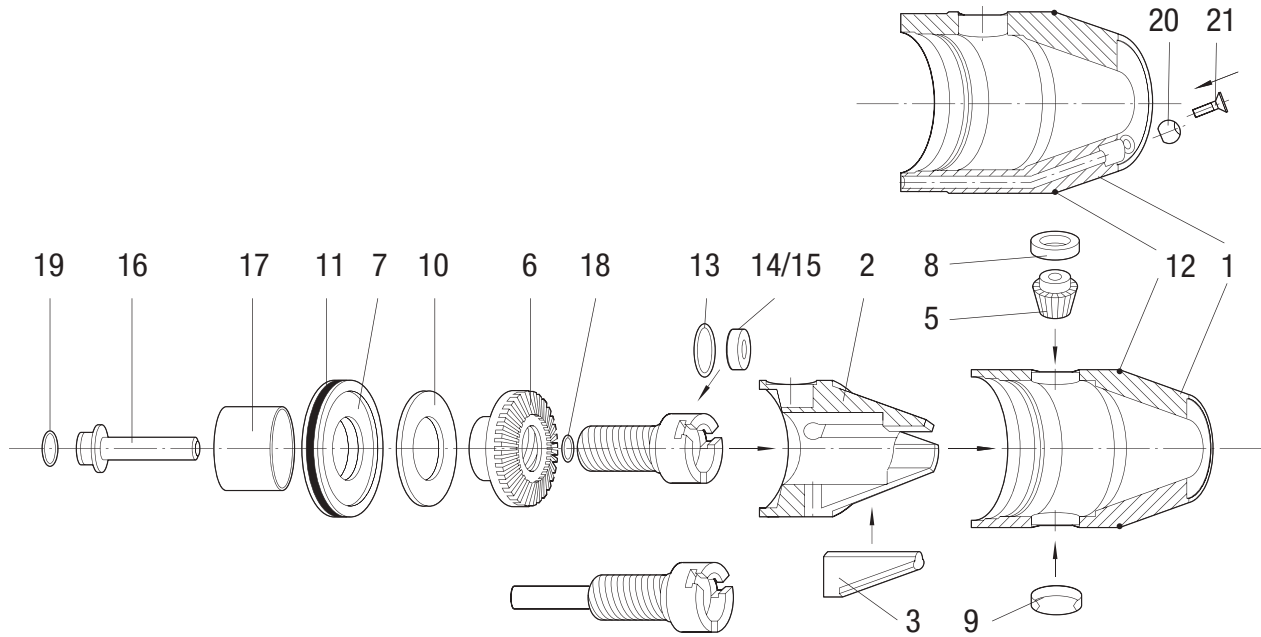


Nr.	Description	Order designation	Order No.
1	Sleeve	89.213.01	30266096
2	Expansion cone	89.213.02	30266133
3	Clamping jaws (1 set = 3 pieces)	89.213.03	30266139
4	Spindle	89.213.04	30266111
5	Pinion	89.213.05	30266142
6	Bevel gear	89.213.06	30266195
7	Thrust Piece	89.213.07	30266165
8	Pinion screw	89.213.08	30266193
9	Cover	89.213.09	30266153
10	Stop disc	89.213.10	30266155
11	O-ring 38x1.5	89.213.11	10019664
12	O-ring, red	89.213.39	30346068

Dimensions in mm.

Spare parts for CNC Precision Drill Chuck

For design WTE 13 IK

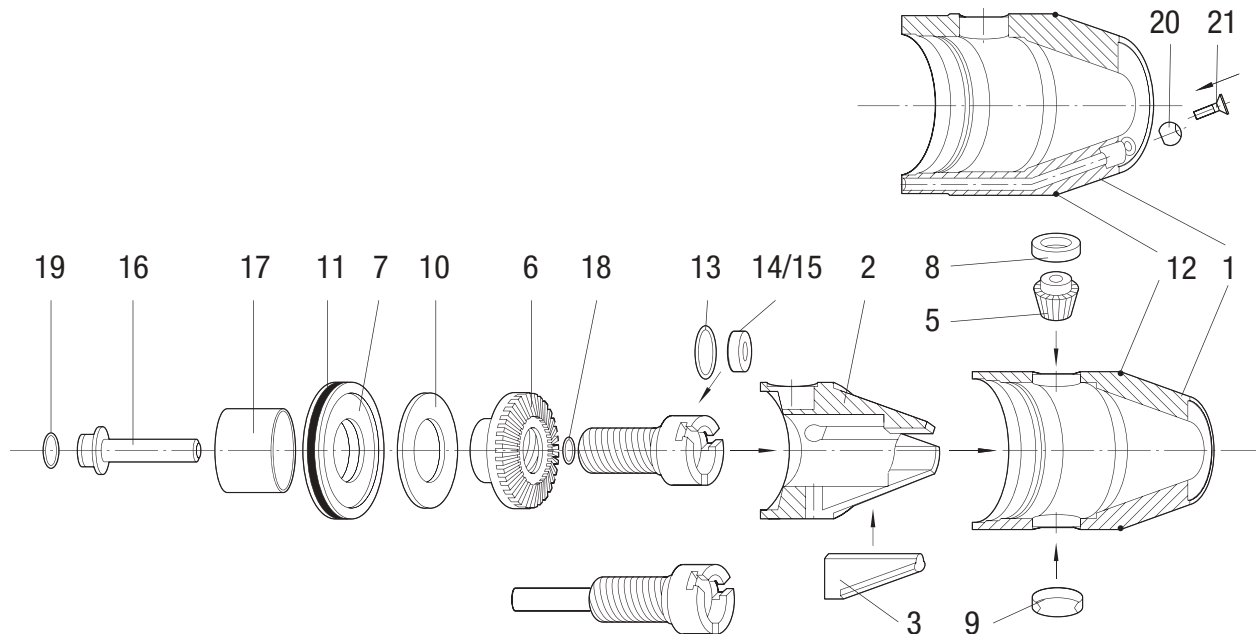


Nr.	Description	Order designation	Order No.
1	Sleeve	89.213.01	30266096
2	Expansion cone	89.213.02	30266133
3	Clamping jaws (1 set = 3 pieces)	89.213.03	30266139
4	Spindle	89.213.13	30266112
5	Pinion	89.213.05	30266142
6	Bevel gear	89.213.06	30266195
7	Thrust Piece	89.213.07	30266165
8	Pinion screw	89.213.08	30266193
9	Cover	89.213.09	30266153
10	Stop disc	89.213.10	30266155
11	O-ring 38x1.5	89.213.11	10019664
12	O-ring, red	89.213.39	30346068
13	O-ring 13x1.5	89.213.14	10002538
14	Gasket ø 3-6	89.213.15	30266126
15	Gasket ø 6-13	89.213.16	30266127
19	O-ring 8 x 1.5	89.213.20	10015676

Dimensions in mm.

Spare parts for CNC Precision Drill Chuck

For design WTE 13 IKT

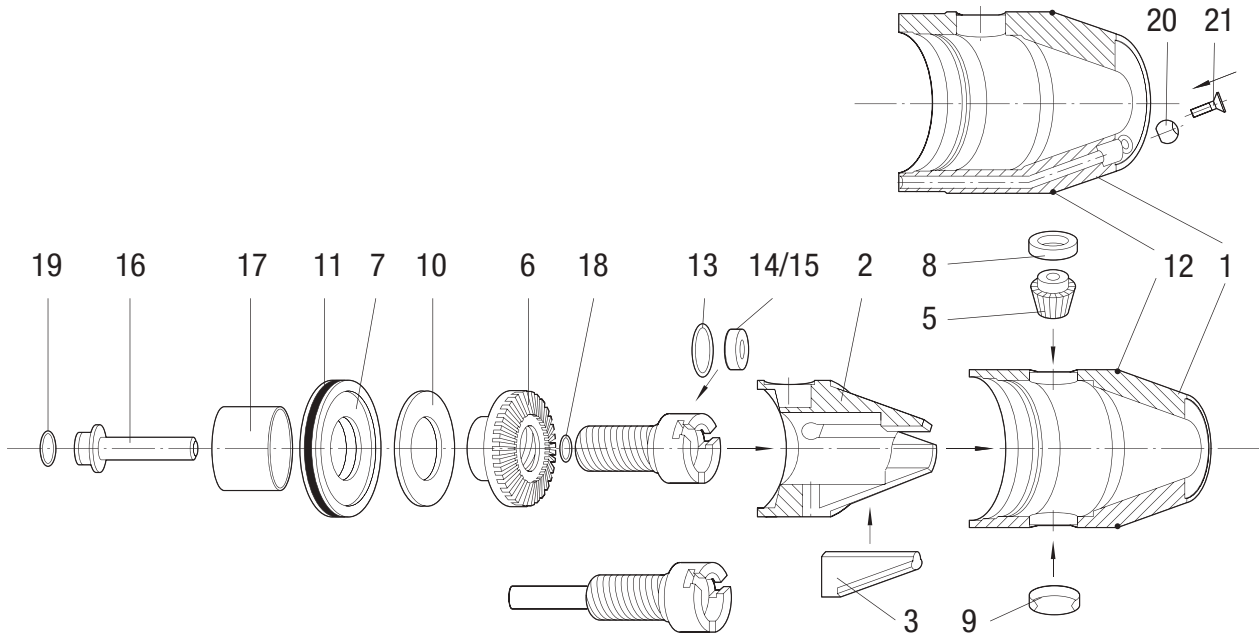


Nr.	Description	Order designation	Order No.
1	Sleeve	89.213.01	30266096
2	Expansion cone	89.213.02	30266133
3	Clamping jaws (1 set = 3 pieces)	89.213.03	30266139
4	Spindle	89.213.28	30266114
5	Pinion	89.213.05	30266142
6	Bevel gear	89.213.06	30266195
7	Thrust Piece	89.213.07	30266165
8	Pinion screw	89.213.08	30266193
9	Cover	89.213.09	30266153
10	Stop disc	89.213.10	30266155
11	O-ring 38x1.5	89.213.11	10019664
12	O-ring, red	89.213.39	30346068
13	O-ring 13x1.5	89.213.14	10002538
14	Gasket ø 3-6	89.213.15	30266126
15	Gasket ø 6-13	89.213.16	30266127
16	Coolant pipe	89.213.29	30266167
17	Spacer	89.213.30	30266168
18	O-ring 6 x 1.5	89.213.36	10002608
19	O-ring 8 x 1.5	89.213.20	10015676

Dimensions in mm.

Spare parts for CNC Precision Drill Chuck

For design WTE 13 VDI

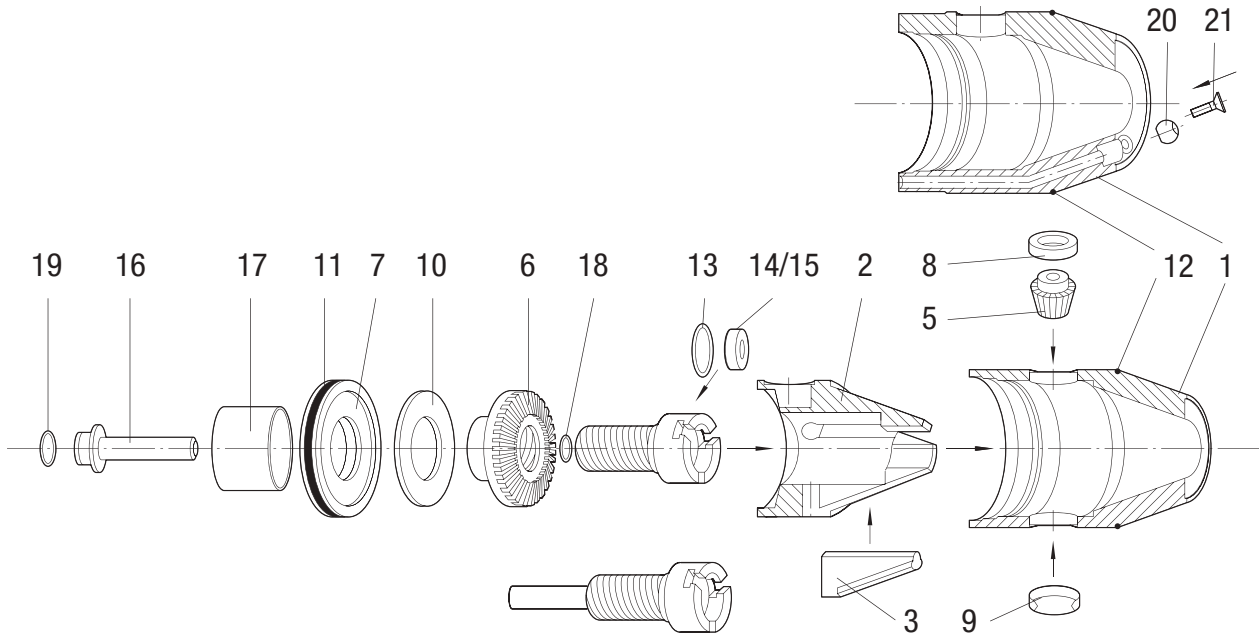


Nr.	Description	Order designation	Order No.
1	Sleeve	89.213.17	30266097
2	Expansion cone	89.213.02	30266133
3	Clamping jaws (1 set = 3 pieces)	89.213.03	30266139
4	Spindle	89.213.04	30266111
5	Pinion	89.213.05	30266142
6	Bevel gear	89.216.06	30266196
7	Thrust Piece	89.213.07	30266165
8	Pinion screw	89.213.08	30266193
10	Stop disc	89.213.10	30266155
11	O-ring 38x1.5	89.213.11	10019664
12	O-ring, red	89.216.12	30269069
20	Ball \varnothing 7	89.213.18	30266163
21	Countersunk screw	89.213.19	30336466

Dimensions in mm.

Spare parts for CNC Precision Drill Chuck

For design WTE 16

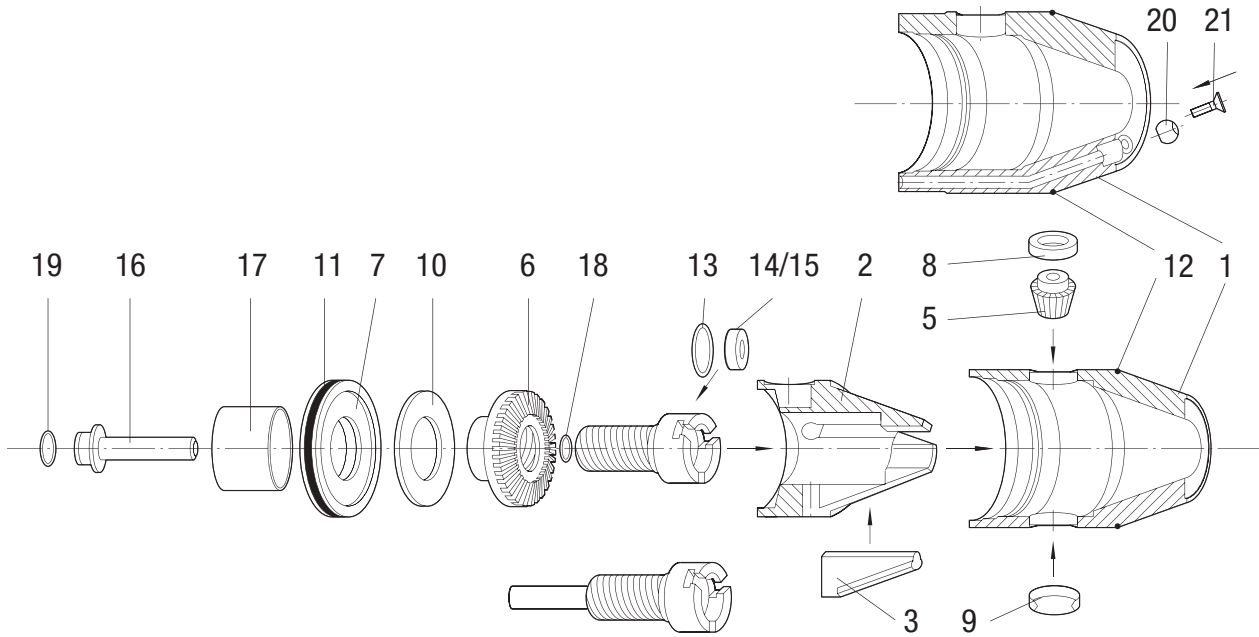


Nr.	Description	Order designation	Order No.
1	Sleeve	89.216.72	30266099
2	Expansion cone	89.216.71	30266134
3	Clamping jaws (1 set = 3 pieces)	89.213.03	30266139
4	Spindle	89.216.04	30266146
5	Pinion	89.216.05	30266143
6	Bevel gear	89.216.06	30266196
7	Thrust Piece	89.213.07	30266165
8	Pinion screw	89.213.08	30266193
9	Cover	89.213.09	30266153
10	Stop disc	89.213.10	30266155
11	O-ring 38x1.5	89.213.11	10019664
12	O-ring, red	89.216.39	30263595

Dimensions in mm.

Spare parts for CNC Precision Drill Chuck

For design WTE 16 IK

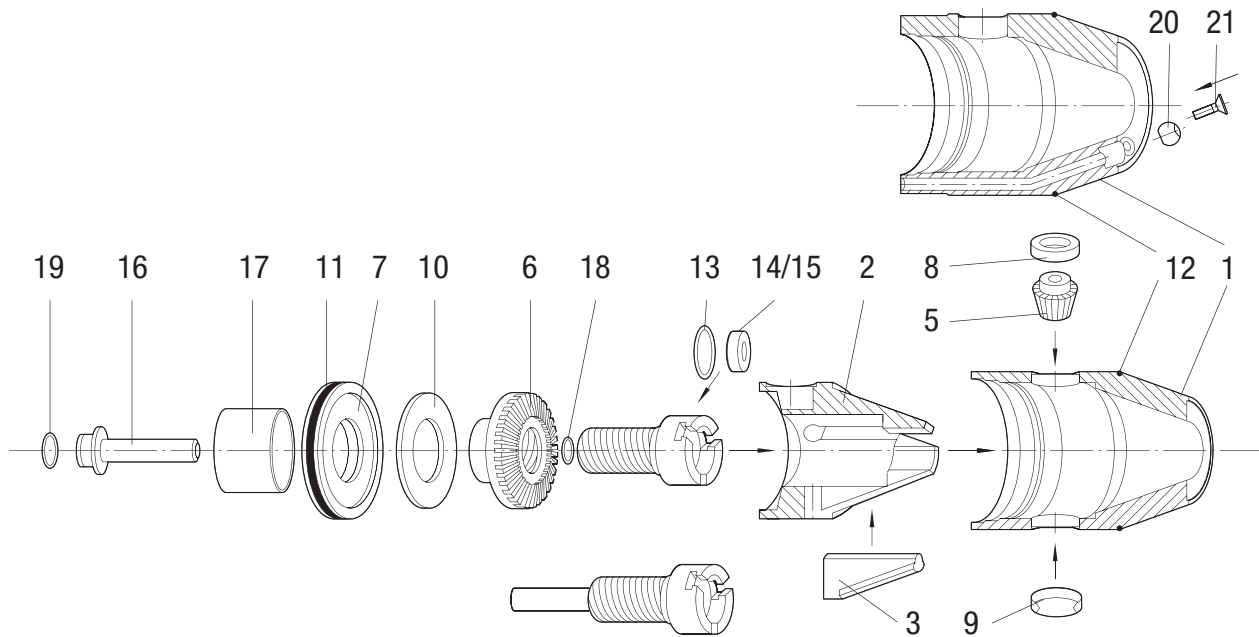


Nr.	Description	Order designation	Order No.
1	Sleeve	89.216.72	30266099
2	Expansion cone	89.216.71	30266134
3	Clamping jaws (1 set = 3 pieces)	89.213.03	30266139
4	Spindle	89.216.13	30266147
5	Pinion	89.216.05	30266143
6	Bevel gear	89.216.06	30266196
7	Thrust Piece	89.213.07	30266165
8	Pinion screw	89.213.08	30266193
9	Cover	89.213.09	30266153
10	Stop disc	89.213.10	30266155
11	O-ring 38x1.5	89.213.11	10019664
12	O-ring, red	89.216.39	30263595
13	O-ring 16 x 1.5	89.216.14	10002547
14	Gasket ø 3-6	89.216.15	30266128
15	Gasket ø 6-16	89.216.16	30266129
19	O-ring 8 x 1.5	89.213.20	10015676

Dimensions in mm.

Spare parts for CNC Precision Drill Chuck

For design WTE 16 IKT

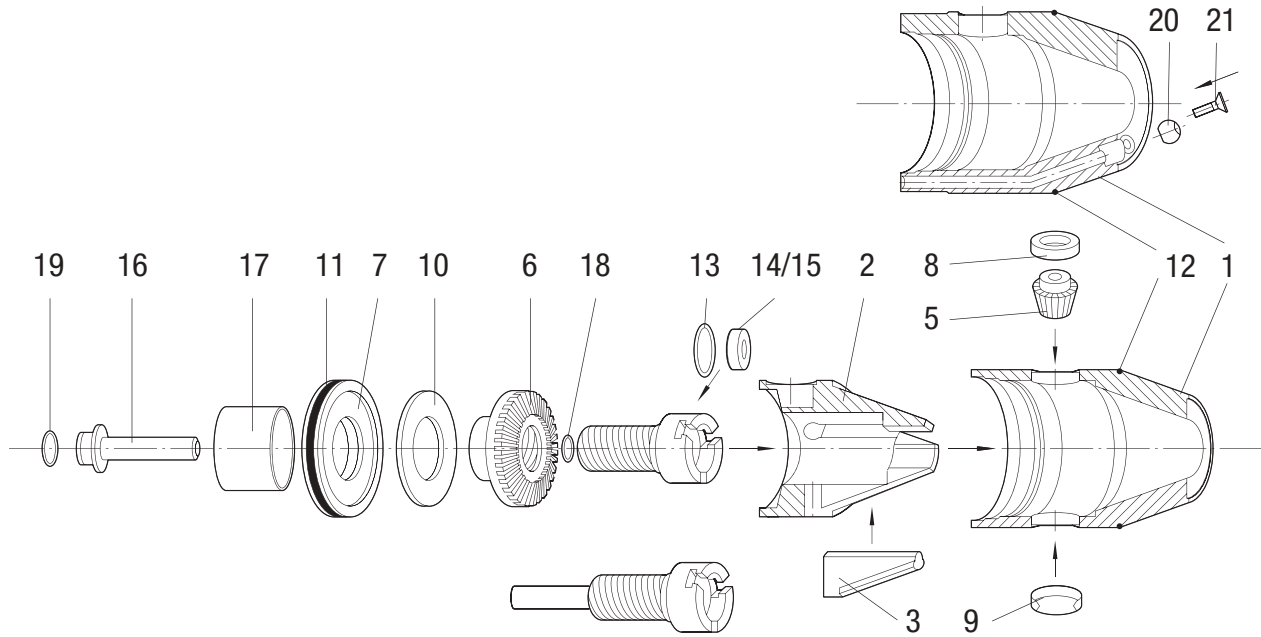


Nr.	Description	Order designation	Order No.
1	Sleeve	89.216.72	30266099
2	Expansion cone	89.216.71	30266134
3	Clamping jaws (1 set = 3 pieces)	89.213.03	30266139
4	Spindle	89.216.13	30266147
5	Pinion	89.216.05	30266143
6	Bevel gear	89.216.06	30266196
7	Thrust Piece	89.213.07	30266165
8	Pinion screw	89.213.08	30266193
9	Cover	89.213.09	30266153
10	Stop disc	89.213.10	30266155
11	O-ring 38x1.5	89.213.11	10019664
12	O-ring, red	89.216.39	30263595
13	O-ring 16 x 1.5	89.216.14	10002547
14	Gasket \varnothing 3-6	89.216.15	30266128
15	Gasket \varnothing 6-16	89.216.16	30266129
16	Coolant pipe	89.213.29	30266167
17	Spacer	89.213.30	30266168
18	O-ring 6 x 1.5	89.213.36	10002608
19	O-ring 8 x 1.5	89.213.20	10015676

Dimensions in mm.

Spare parts for CNC Precision Drill Chuck

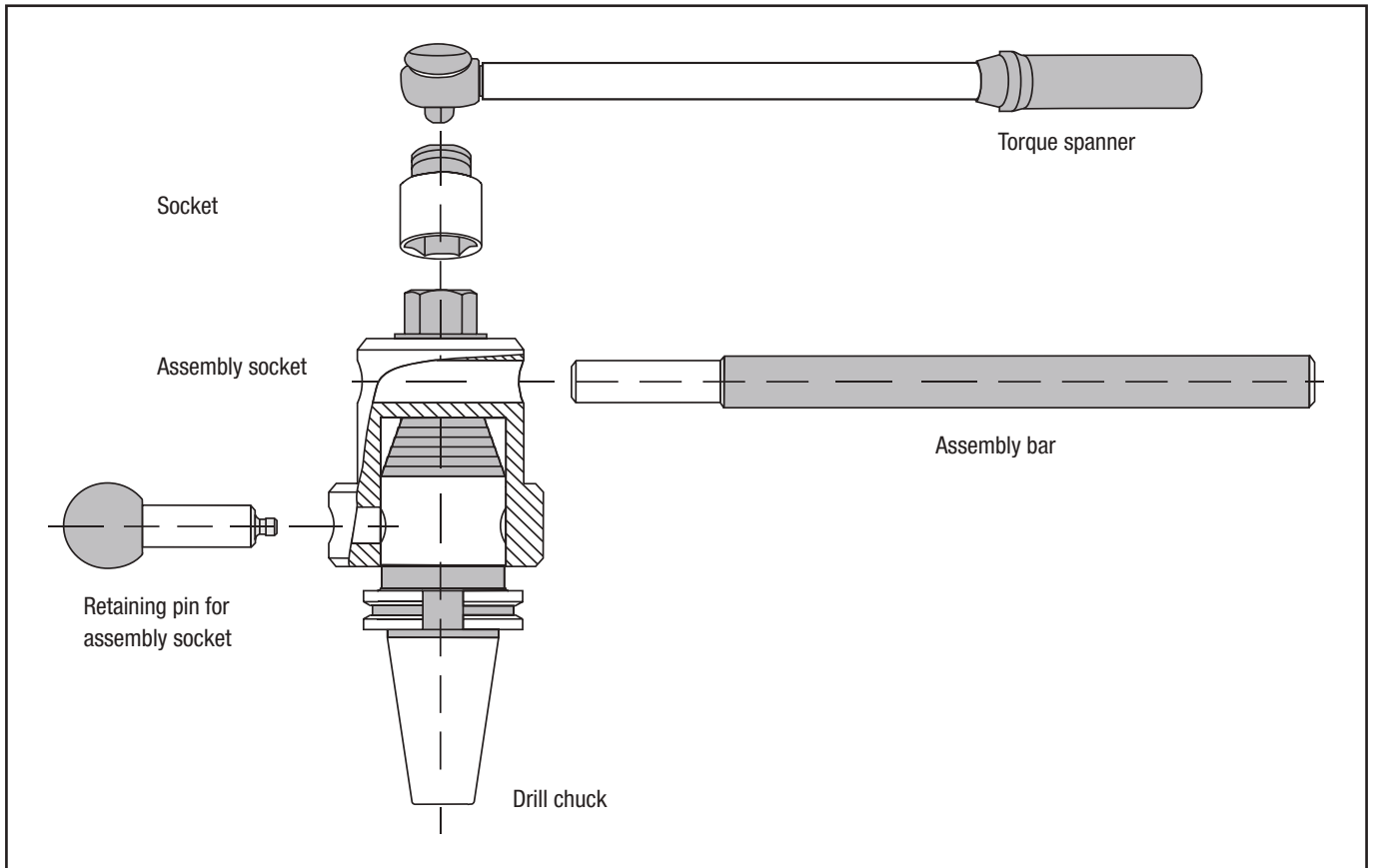
For design WTE 16 VDI



Nr.	Description	Order designation	Order No.
1	Sleeve	89.216.17	30266100
2	Expansion cone	89.216.10	30336482
3	Clamping jaws (1 set = 3 pieces)	89.213.03	30266139
4	Spindle	89.216.04	30266146
5	Pinion	89.216.05	30266143
6	Bevel gear	89.216.06	30266196
7	Thrust Piece	89.213.07	30266165
8	Pinion screw	89.213.08	30266193
10	Stop disc	89.213.10	30266155
11	O-ring 38x1.5	89.213.11	10019664
12	O-ring, red	89.216.12	30269069
20	Ball \varnothing 7	89.213.18	30266163
21	Countersunk screw	89.213.19	30336466

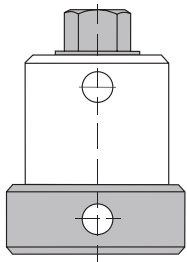
Dimensions in mm.

Overview of the installation tools for CNC Precision Drill Chucks



Assembly Socket

Including retaining pins

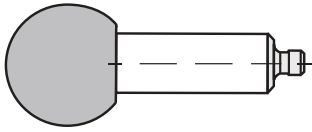


No.	Suitable for	Weight [kg]	Order designation	Order No.
1	WTE 08/08 IK	0.3	89.208.22	30266169
2	WTE 08 VDI	0.3	89.208.23	30266170
3	WTE 13/13 IK/13 IKT	0.4	89.213.23	30266171
4	WTE 13 VDI/16/16 IK/16 IKT/16 VDI	0.5	89.216.25	30336487

Dimensions in mm.

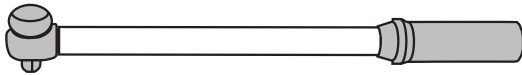
Retaining Pins

For Assembly Socket



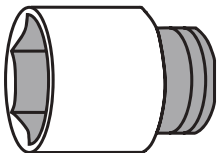
Fits	Weight [kg]	Order designation	Order No.
No. 1 / No. 2	0.3	89.208.26	30336449
No. 3 / No. 4	0.3	89.213.26	30266176

Torque Spanner



Tightening value	Square drive	Order designation	Order No.
20 - 120 Nm	1/2 "	89.208.35	30266178

Socket

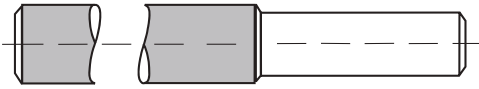


Hexagon	Square drive	Order designation	Order No.
sw 19	1/2 "	89.208.34	30266180

Dimensions in mm.

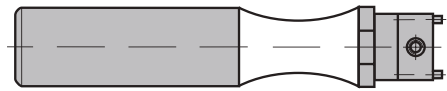
Assembly Bar

Fits Assembly Sockets



Weight [kg]	Order designation	Order No.
1.0	89.208.30	30266181

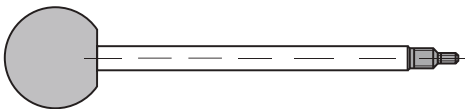
Pinion Screwdriver



WTE Norm	Weight [kg]	Order designation	Order No.
WTE 08	0.04	89.208.24	30266182
WTE 13 / 16	0.04	89.213.21	30266183

Assembly Tool

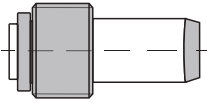
For sealing discs



WTE Norm	Weight [kg]	Order designation	Order No.
WTE 08	0.03	89.208.44	30266184
WTE 13 / 16	0.03	89.213.44	30336476

Coolant Transfer Pipe

For DIN 69893-A/E



HSK	Weight [kg]	Order designation	Order No.
32	0.01	89.220.72	30326003
40	0.01	89.220.73	30326004
50	0.02	89.220.74	30326005
63	0.02	89.220.75	30326006
80	0.02	89.220.76	30326007
100	0.03	89.220.77	30326008

Assembly Key

For Coolant Transfer Pipe



sw	Weight [kg]	Order designation	Order No.
32	0.01	89.206.20	10074750
40	0.01	89.206.21	10074751
50	0.01	89.206.22	10074752
63	0.01	89.206.23	10040110
80	0.02	89.206.24	10074774
100	0.02	89.206.25	10074775

Hexagonal T-key

For pinion activation



sw	l	Weight [kg]	WTE Norm	Order designation	Order No.
4	100	0.03	WTE 08	89.206.07	10006235
6	100	0.03	WTE 13 / 16	89.206.06	10006237

Dimensions in mm.

NC STANDARD DRILL CHUCKS



Shank form SK as per ISO 7388-1

SK 40 _____ 254-255

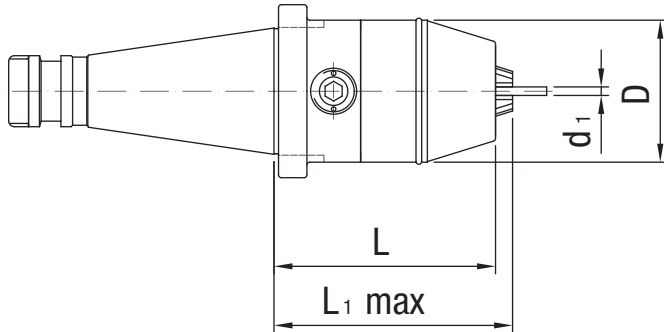
Shank form BT as per ISO 7388-2

BT 40 _____ 256

Spare parts & accessories

Spare parts & accessories _____ 257-259

NC Standard Drill Chuck DIN 2080, Form A



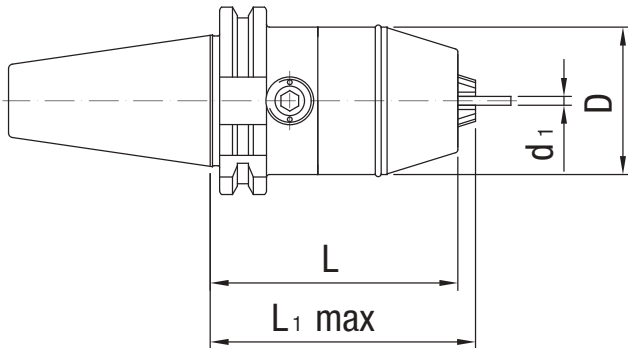
Nominal size SK/ISO	WTE Norm	Clamping range	Dimensions			Weight [kg]	Order designation	Order No.
			d ₁	D	L			
40	WTE 13	0.5 - 13	50	78	84	1.5	10.297.40.13	30342426
40	WTE 16	2.5 - 16	57	78	86	1.7	10.297.40.16	30342427

Dimensions in mm.

Spare parts and accessories at the end of this chapter. Custom designs available on request.

NC Standard Drill Chuck DIN69871, Form A

(prev. DIN 69871-A)

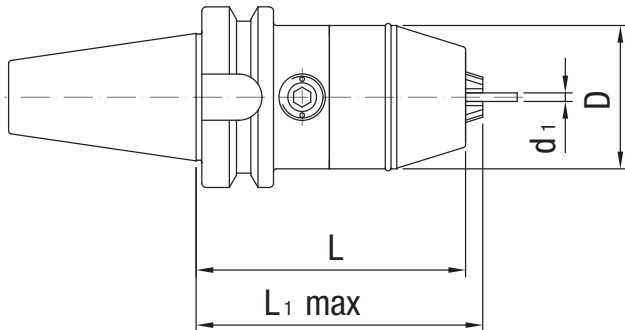


Nominal size SK/ISO	WTE Norm	Clamping range	Dimensions			Weight [kg]	Order designation	Order No.
			d ₁	D	L			
40	WTE 13	0.5 - 13	50	84	90	1.5	11.297.40.13	30342428
40	WTE 16	2.5 - 16	57	84	92	1.7	11.297.40.16	30342429

Dimensions in mm.

Spare parts and accessories at the end of this chapter. Custom designs available on request.

NC Standard Drill Chuck BT MAS

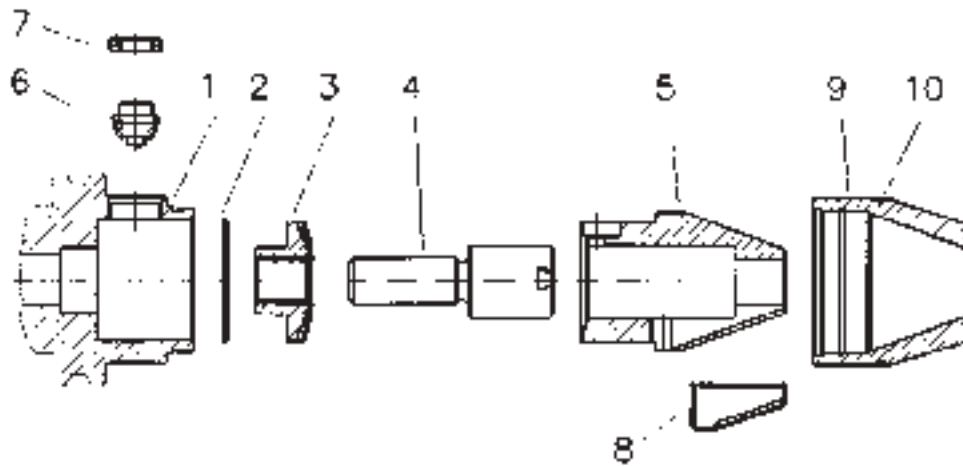


Nominal size BT	WTE Norm	Clamping range	Dimensions			Weight [kg]	Order designation	Order No.
			d_1	D	L			
40	WTE 13	0.5 - 13	50	94	100	1.8	20.297.40.13	30342430
40	WTE 16	2.5 - 16	57	94	102	2	20.297.40.16	30342431

Dimensions in mm.

Spare parts and accessories at the end of this chapter. Custom designs available on request.

Spare parts for NC Standard Drill Chuck



For design WTE 13

No.	Description	Order designation	Order No.
2	Stop disc	89.213.10	30266155
3	Bevel gear	89.213.06	30266195
4	Spindle	89.213.103	30336465
5	Expansion cone	89.213.101	30336463
6	Pinion	89.213.102	30336464
7	Pinion screw	89.213.08	30266193
8	Clamping jaws (1 set = 3 pieces)	89.213.03	30266139
9	Sleeve	89.213.100	30336462
10	O-ring, red	89.213.39	30346068

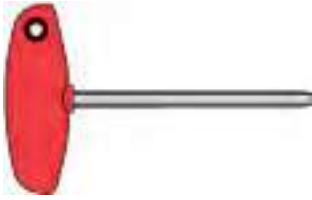
For design WTE 16

No.	Description	Order designation	Order No.
2	Stop disc	89.213.10	30266155
3	Bevel gear	89.213.06	30266195
4	Spindle	89.216.103	30336485
5	Expansion cone	89.216.101	30336484
6	Pinion	89.213.102	30336464
7	Pinion screw	89.213.08	30266193
8	Clamping jaws (1 set = 3 pieces)	89.213.03	30266139
9	Sleeve	89.216.100	30336483
10	O-ring, red	89.216.39	30263595

Dimensions in mm.

Hexagonal T-key

For pinion activation



sw	l	Weight [kg]	Order designation	Order No.
6	100	0.03	89.206.06	10006237