

Power Skiving Unit

High Productive Manufacturing of ID/OD Gears and Splines with CNC Turning Centers.

Maximum flexibility, high quality, optimal handling.

In operation:

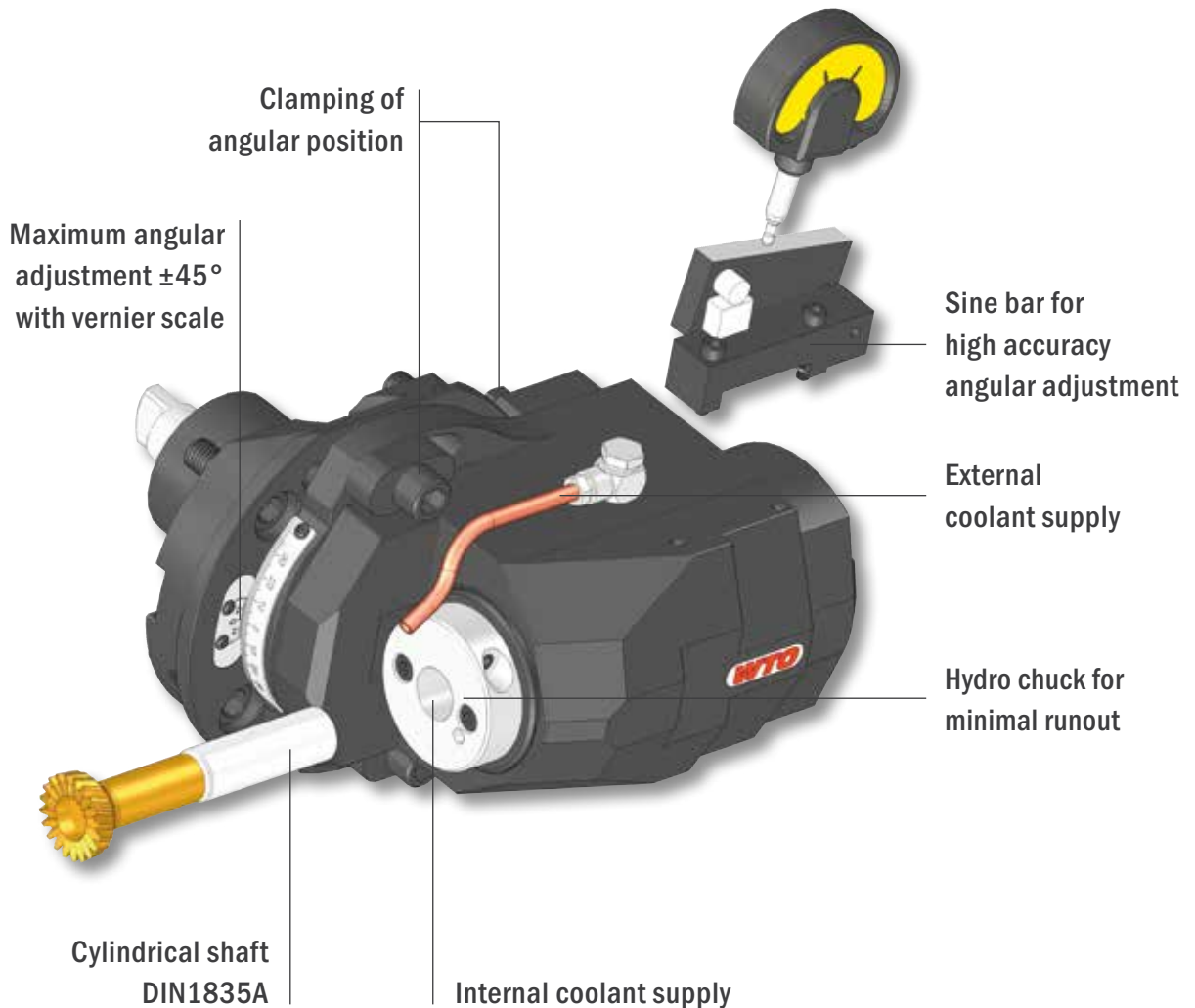


Power Skiving Unit for ID and OD

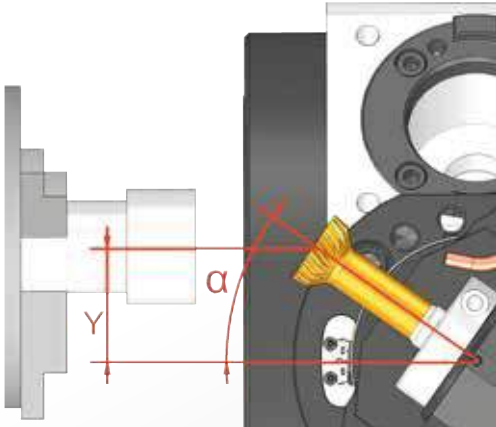
Ratio i (n1:n2)	1:1
Max. RPM (n2)	3,000
Max. torque M	63 Nm
Max. scale swing α	$\pm 45^\circ$
Tool clamping dia.	$\varnothing 20$ DIN1835A
Coolant supply	internal a. external
Max. coolant pressure	1160 PSI (80 bar)
Required coolant filtration	$\leq 50 \mu\text{m}$



- | High stiffness and runout accuracy
- | Quick cutting tool change with hydro chuck

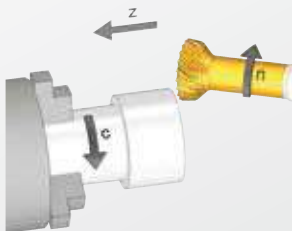


Operation principle: Power Skiving

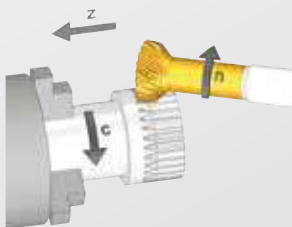


The workpiece axis and the skiving tool axis must be related to each other in a defined angle (α).

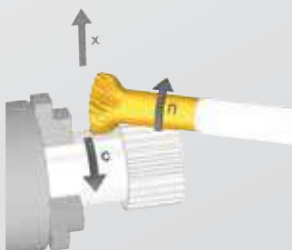
The offset of the cutting tool (Y) caused by rotating to the defined angle (α) must be compensated with the Y-axis of the machine.



Synchronization of work piece and tool rotation.



Feed movement in Z-axis.



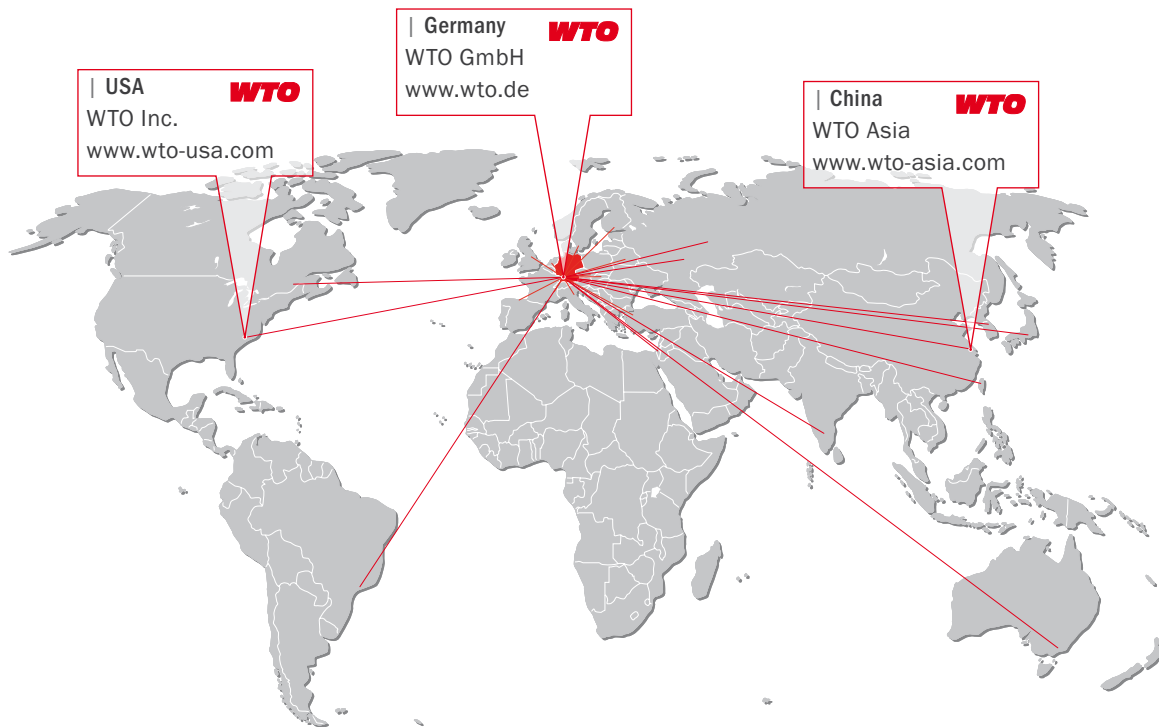
When skiving is finished the cutter has to move towards X.

Please consider:

At the end of the gear/spline there must be sufficient clearance for the cutter.

Sample workpieces





WTO GmbH
Auf der oberen Au 45
77797 Ohlsbach
Germany

WTO USA
13900 S Lakes Dr Ste F
Charlotte NC 28273-7119
USA

WTO Asia
Unit 756A, Tower 3
German Center
No. 88 Keyuan Road
Pudong
201203 Shanghai
China

Our distribution partners. Competence right there.

| **Australia**
Dimac Tooling Ltd.
sales@dimac.com.au

| **Finland**
Suomen Terätuonti Oy
myynti@stt.as

| **Japan**
NK Works Co. Ltd.
k_samba@nk-works.co.jp

| **Slovakia**
ALBA precision s.r.o.
albaprecision@albaprecision.sk

| **Belarus**
JSC "PMI GROUP"
tool@pmi.by

| **France**
Société Jung
info@r-jung.com

| **Korea**
WTO Korea Office
is.chon@wto-korea.com

| **Spain**
ITALMATIC, S.A.
italmatic@italmatic.es

| **Brazil**
TF2
tfdois@tfdois.com.br

| **France**
Utilis France Sàrl
contact@utilis.com

| **Mexico**
Workholding Engineering De México
info@wem.com.mx

| **Sweden**
Komet Scandinavia AB
scandinavia@kometgroup.com

| **Canada**
Mittmann Industrial Inc.
info@mittmann.com

| **Great Britain**
Cutwel Ltd.
sales@cutwel.net

| **Netherlands**
Klein Tooling B.V.
verkoop@kleintooling.nl

| **Switzerland**
Utilis AG
info@utilis.com

| **China**
Shanghai Gangde
m.wang@wto-asia.com

| **India**
A.H. Rao
ahr.rao@gmail.com

| **Norway**
Helge Karlsen Verktøy og Maskin AS
hkvm@hkvm.no

| **Taiwan**
KAIKO Enterprise Co. Ltd.
info@kaiko.com.tw

| **Czech Republic**
ALBA precision, spol. s.r.o.
info@albaprecision.cz

| **Israel**
E.Y.A.R. Ltd.
yehoshua@eyar.co.il

| **Russia**
Haltec Ltd.
info@haltec.ru

| **Turkey**
MYK CNC MAKINA SAN. VE
huseyin.tatlidil@mykcnc.com.tr

| **Denmark**
Tool-part
cj@tool-part.dk

| **Italy**
Prymark srl
commerciale@prymark.it

| **Russia**
OTS-Technology Ltd.
sales@otst.ru

| **Ukraine**
„LLC“ SPA Stankopromimport
info@phoenix-ua.com