



C 300 H
C 300 H x4
C 350 H
C 350 H x4



FullGrip® System exclusivo AUSA:
 Tracción integral por discos múltiples conectable electro-hidráulicamente desde el mando joystick.

Exclusive AUSA FullGrip® System:
 On demand 4WD connectable by means multiple discs with electro-hydraulic engagement from the joystick.

FullGrip® System de AUSA:
 4 RM sur demande au moyen de disques multiples avec connexion électro-hydraulique depuis le joystick.

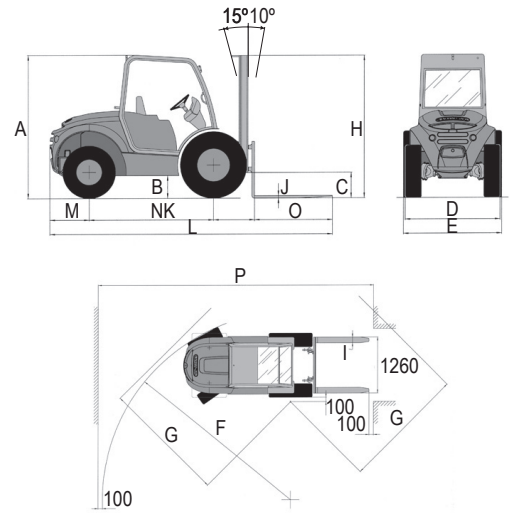
AUSA FullGrip® System:
 Elektrohydraulisch, zuschaltbarer Allradantrieb – am Joystick zu betätigen.



C 300 H/x4_3000Kg C 350 H/x4_3500Kg

AUSA
www.ausa.com

DIMENSIONS (mm)	C 300 H	C 300 Hx4	C 350 H	C 350 Hx4
A	2200	2200	2240	2240
B	270	290	300	320
C	325	325	380	380
D	1460	1460	1460	1460
(narrow axle) E	1540	1540 (H/Hi)	1770	1770 (H/Hi)
(wide axle) E	1800	1800 (H)	2010	2010 (H)
F	3500	4280	3500	4280
G	2850	3005	2850	3005
I	120	120	120	120
J	50	50	50	50
K	750	750	750	750
L	4500	45000	4500	4500
M	600	600	600	600
N	1950	1950	1950	1950
O	1200	1200	1200	1200
P	5600	6805	5600	6805



Type of mast	Maximum lifting height (mm)	Free lift (mm)	Machine height with mast retracted (mm)		Machine height with mast extended (mm)		Load (Kg) at max. height - according stability test standard (A/B)*					
			C 300 H C 300 Hx4	C 350 H C 350 Hx4	C 300 H C 300 Hx4	C 350 H C 350 Hx4	(A) C 300 H/x4 (narrow axle)	(B) C 300 H/x4 Version HI (narrow axle)	(A) C 300 H/x4 (wide axle)	(A) C350H / Hx4 (narrow axle)	(A) C350H / Hx4 (wide axle)	(B) C 350 H / Hx4 Version HI (narrow axle)
Duplex (Std.)	3300	120	2600	2670	4500	4500	3000	3000	3000	3500	3500	3500
Duplex	4000	120	2950	2990	5200	5200	2250	2550	3000	3000	3500	3000
Triplex (free lift)	3700	1200	2090	2130	4900	4900	2400	2700	3000	3200	3500	3200
Triplex (free lift)	5400	1680	2660	2700	6600	6600	-	1300	1500	-	1600	1500
Triplex (free lift)	6850	2280	-	3220	-	7820	-	1000	-	-	600	1200

TECHNICAL SPECIFICATIONS

	C 300 H	C 300 Hx4	C 350 H	C 350 Hx4
Load capacity (kg) @ centre of gravity	3000 a 500mm / 2800 a 600mm		3500 a 500mm / 3250 a 600mm	
Lifting height (Standard duplex mast) (mm)	3300			
Engine	Diesel	KUBOTA V 2403 - M	KUBOTA V 3600	
Power acc. (KW/HP)	36.5 / 48.6		48.6	
Nº of cylinders	4			
Cooling system	Water			
Traction	4x2	4x4 FullGrip®	4x2	4x4 FullGrip®
Transmission	Hydrostatic with variable flow pump and automatic regulation. Electric gear inverter in joystick. Inching pedal.			
Unladen weight (Kg) (with full tanks)	4700	4900	5000	5200
Gradeability	30%	44%	25%	34%
Speed (Maximum) (Km/h)	20			
Engine starting system	Electric			
Tyres	Front	12.5 / 80-18	12.5 / 80-18	16 / 70-20
	Rear	27x10-12	10.0 / 75-15.3	27x10-12
Steering	Hydraulic. Working pressure 140 bar.			
External turning radius (mm)	3500	4300	3500	4300
Tank capacity (l)	Fuel	80		85
	Hydraulic fluid	80		85
Service brake	Oil-immersed, multidisc			
Parking brake	Oil-immersed, multidisc			
Hydraulic circuit	18-8 cc. double gear pump. Working pressure 170 bar.		18-8 cc. double gear pump. Working pressure 190 bar.	
Operating pressures for accessories	170		190	
Forkcarriage	FEM 3 - Wide: 1200mm (optional:1660mm)			
Stability test standard	(A)*	For rough terrain use - Models H - ISO 22915-13		
	(B)*	For industrial use - Models HI - ISO 22915-2		

STANDARD EQUIPMENT

Open and tilting cabin
Joystick with integrated functions, "total control of movements"
Ergonomic and comfort seat with height, weight and distance adjustable with seat belt
Audible reverse warning
Rear view mirrors
Rotating beacon
3rd auxiliary hydraulic service
Side-shift

OPTIONAL EQUIPMENT

Semi - closed cabin
Closed cabin with heater
Radio/stereo CD
Electronic anti-theft protection system
Homologated lighting equipment
Air Conditioning
Working lights
4th auxiliary hydraulic service
5th auxiliary hydraulic service
Catalytic converter
Spark arrestor
Load backrest
Limited slip differential in front axle
Enhanced heater for Nordic countries
600, 800 and 1000 litre hydraulic buckets
Many other attachments fitted with manufacturer warranty